

應用 APPLICATIONS

礦業與礦物加工業、水與汙水處理、化工廠、石油與天然氣工業、高壓流體、蒸氣及高溫流體、壓縮天然氣與液化天然氣、一般流體。
Mining & Mineral Processing, Water & Waste Water, Chemical Plant, Oil & Gas, High Pressure Fluid, Steam & High Temperature Fluid, CNG & LNG, Automotive Industry, General Fluid.

技術資料 TECHNICAL DATA

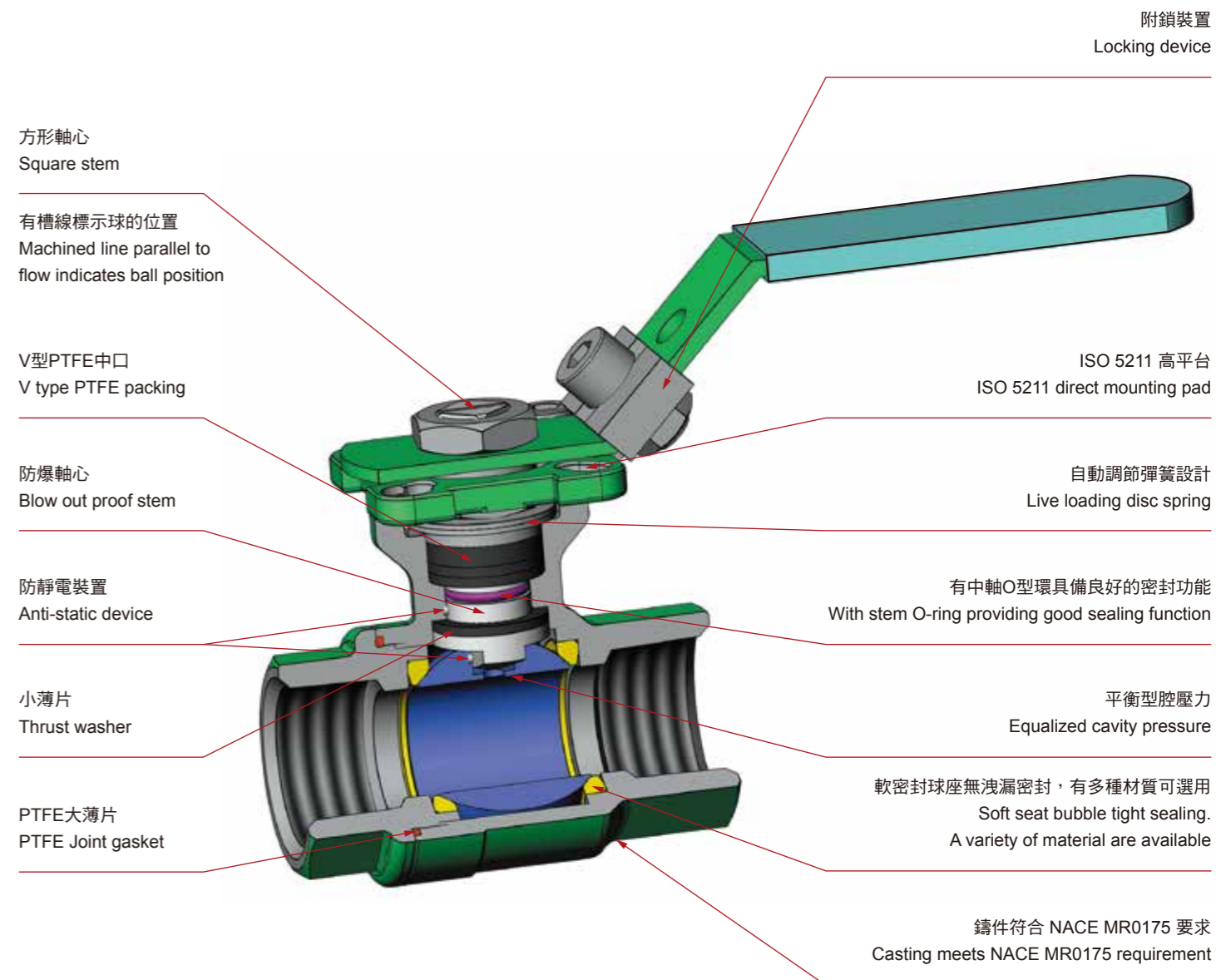
設計 Design	EN12516-1/-3
尺寸 Size	1/4" ~ 4" (DN8 ~ DN100)
壓力等級 Pressure Rating	1000WOG (PN63): 27T, 307 2000WOG (PN100/PN138): 309
端口 End connections	牙口端、套焊端、對焊端、長焊端、 加長短管可根據要求提供 Threaded End, Socket Weld End, Butt Weld End, Long Butt Weld End, Pup extension is available on request
產品檢測 Testing	API 598, EN12266-1
流量 Bore	全流量 Full Bore
認證 Certificate	API 607: 307, 309 TA-Luft: 307 AGA AS 4617, AS 4629: 309 ISO 15848-1: 307 ATEX: 27T, 307, 309



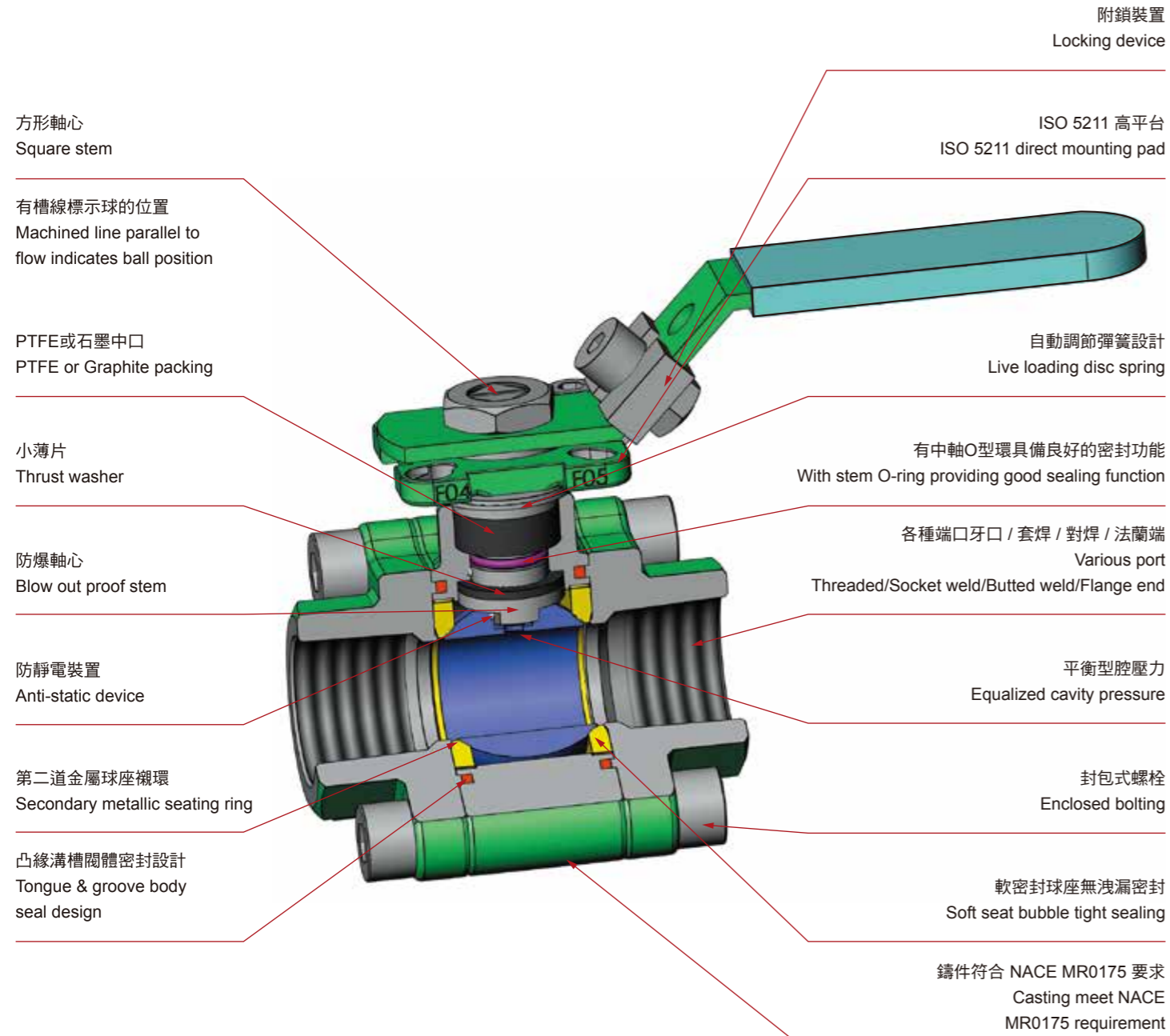
特點 FEATURES

- 以具有競爭力的價格提供卓越的閥門設計。
- 易燃和非易燃非應用的逸散性洩漏控制，可應要求提供。(307)
- 閥門逸散性排放能力通過 ISO 15848-1 第三方控制，可應要求提供。(307)
- 自動調整負載，自動調整的中口迫緊及盤華司可提供好的密封與防止洩漏。
- 可直接安裝執行器的 ISO 平台架，不需支架連接桿，節省成本、空間及時間。
- 延長軸心及延長端蓋可應要求提供。
- 特別適於天然氣&液化天然氣產業。(307, 309)。
- RPTFE密封消除了對產品污染的擔憂。
- 防火認證 API 607。可應要求提供(307, 309)。
- 較低的操作扭力，便於操作並降低執行器成本。
- 明確的開關位置指示。
- 防爆軸心。
- NACE MR0175 可應要求提供。
- 可使用附鎖裝置。
- 防靜電裝置。
- 根據 ISO 9001 認證的質量體系製造。
- 標準 CE 標示 PED 2014/68/EU，可應要求提供。
- 多種球座材質可供選擇。
- 除了標準的球座材質，球座有以下材質可供選擇。每個球座選項將滿足廣泛的性能，適用於許多應用：
 - PTFE + 15% Glass Fiber
 - PTFE + 25% Carbon Fiber
 - Modified PTFE
 - Modified PTFE + 25% Carbon Fiber
 - PTFE + 50% SS
 - PEEK
- * 請參考溫壓圖
- Superior valve design at a competitive price.
- Fugitive emissions control for flammable and non-flammable applications. Available on request. (307)
- Valve fugitive emissions capability third-party certified to ISO 15848-1. Available on request. (307)
- Live loaded, self-adjusting packing and Belleville washers provide better sealing and defense against leaking.
- Machined ISO actuator mounting pad for directly mount actuator, bracket and adaptor is unnecessary, save cost, space and time.
- Extension stem and extension pup end is available on request.
- Particularly suitable for CNG & LNG industry. (307, 309)
- RPTFE seal relieves concern over product contamination.
- Fire test certified to API 607. Available on request. (307, 309)
- Lower operating torque for ease of operation and reduced actuator cost.
- Positive position indication.
- Blowout-proof shaft.
- NACE MR0175 available on request.
- Locking device is available.
- Anti-static device.
- Manufactured under ISO 9001 certified quality system.
- CE marking PED 2014/68/EU as standard. Available on request.
- Various seat material are available. In addition to standard seat material, following variety is available. Each material option will meet a wide range of performance, suitable for many applications.
 - PTFE + 15% Glass Fiber
 - PTFE + 25% Carbon Fiber
 - Modified PTFE
 - Modified PTFE + 25% Carbon Fiber
 - PTFE + 50% SS
 - PEEK
- * Please refer to the Pressure-Temperature rating

27T剖面圖

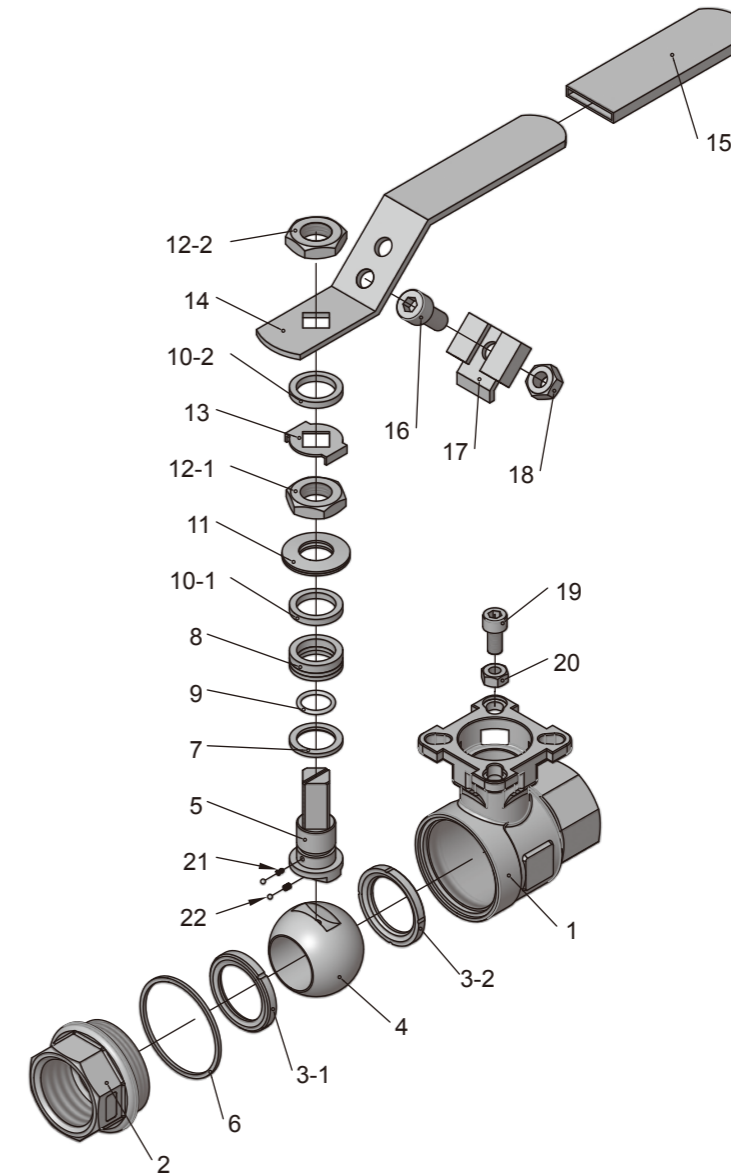


309剖面圖



物料表 MATERIAL COMPOSITION

型號 Fig. No. : 27T



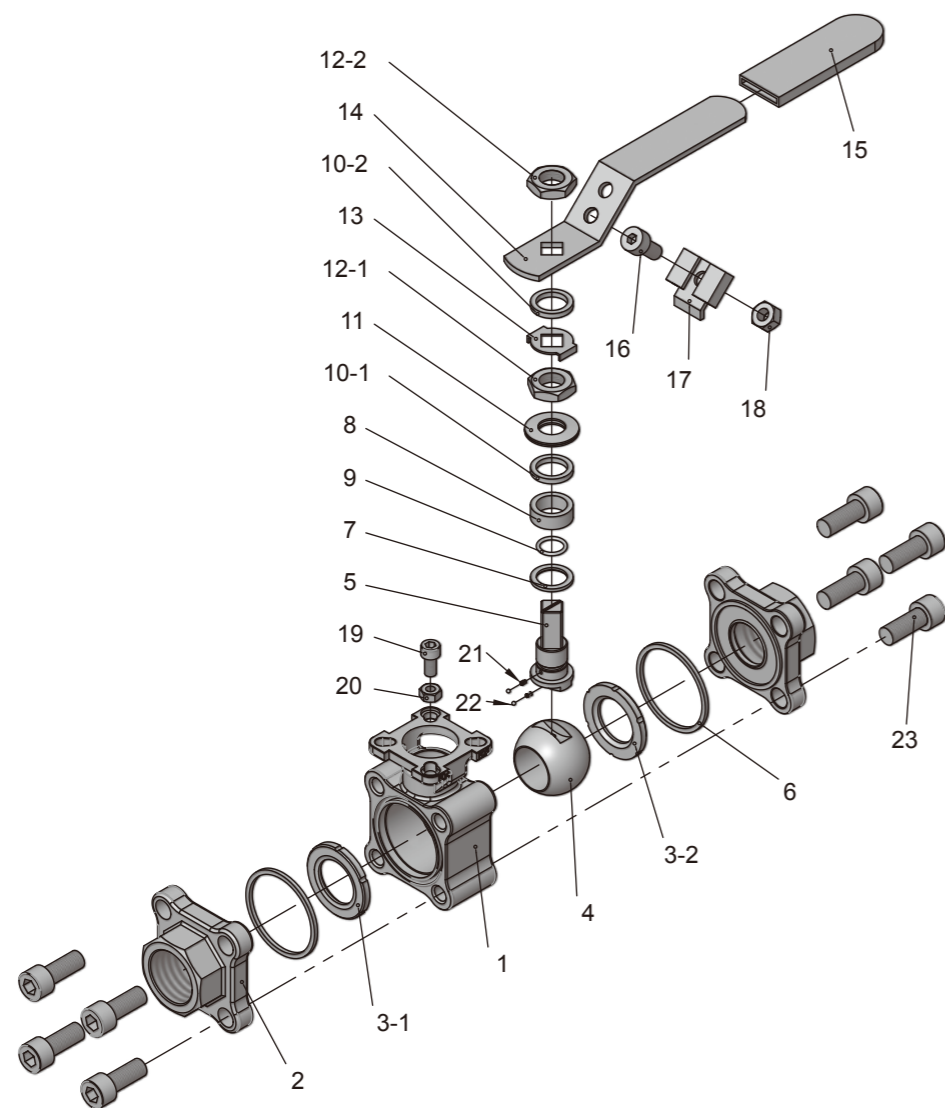
ITEM	PART NAME	STAINLESS STEEL	CARBON STEEL	ITEM	PART NAME	STAINLESS STEEL	CARBON STEEL
1	Body	A351-CF8M	A216-WCB	12	Lever Nut	SS 304	SS 304
2	End Caps	A351-CF8M	A216-WCB	13	Locking Tab	SS 304	SS 304
3	Seats	PTFE+15%G.F.	PTFE+15%G.F.	14	Handle	SS 304	SS 304
4	Ball	A351-CF8M	A351-CF8	15	Handle Cover	VINYL	VINYL
5	Stem	SS 316	SS 304	16	Screw	SS 304	SS 304
6	Body Seal	PTFE	PTFE	17	Locking Device	SS 304	SS 304
7	Thrust Washer	PTFE+15%G.F.	PTFE+15%G.F.	18	Nut	SS 304	SS 304
8	Packing	PTFE	PTFE	19	Stop Screw	SS 304	SS 304
9	O-Ring	VITON	VITON	20	Stop Nut	SS 304	SS 304
10	Gland Ring	SS 304	SS 304	21	Spring	SS 316	SS 316
11	Belleville Spring Washer	SS 301	SS 301	22	Static Device	SS 316	SS 316

* 我方有權隨時變更材質/設計/規格，以便提供品質優良的產品。

We reserve the right to modify the design / specification without previous notice for better quality.

物料表 MATERIAL COMPOSITION

型號 Fig. No. : 309



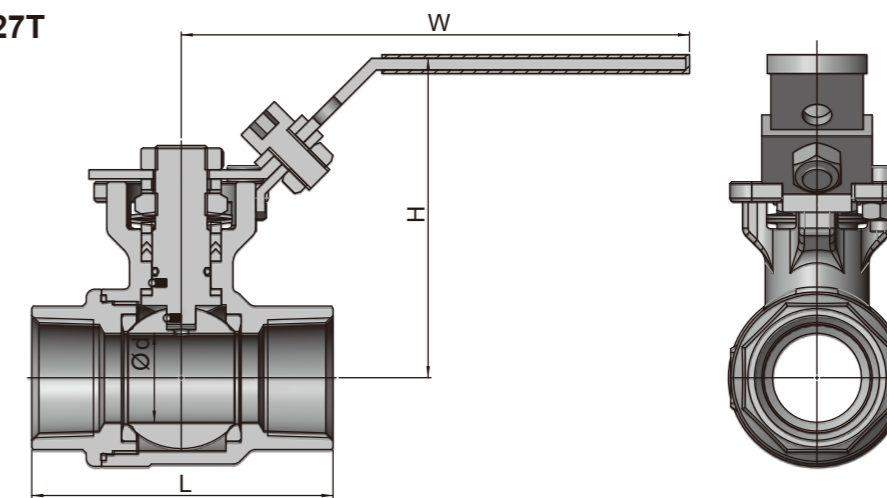
ITEM	PART NAME	STAINLESS STEEL	CARBON STEEL	ITEM	PART NAME	STAINLESS STEEL	CARBON STEEL
1	Body	A351-CF8M	A216-WCB	12	Lever Nut	SS 304	SS 304
2	End Caps	A351-CF8M	A216-WCB	13	Locking Tab	SS 304	SS 304
3	Seats	PTFE+15%G.F.	PTFE+15%G.F.	14	Handle	SS 304	SS 304
4	Ball	A351-CF8M	A351-CF8	15	Handle Cover	VINYL	VINYL
5	Stem	SS 316	SS 304	16	Screw	SS 304	SS 304
6	Body Seal	PTFE	PTFE	17	Locking Device	SS 304	SS 304
7	Thrust Washer	PTFE+15%G.F.	PTFE+15%G.F.	18	Nut	SS 304	SS 304
8	Packing	PTFE	PTFE	19	Stop Screw	SS 304	SS 304
9	O-Ring	VITON	VITON	20	Stop Nut	SS 304	SS 304
10	Gland Ring	SS 304	SS 304	21	Spring	SS 316	SS 316
11	Belleville Spring Washer	SS 301	SS 301	22	Static Device	SS 316	SS 316
				23	Bolt	A2-70	12.9

* 我方有權隨時變更材質/設計/規格，以便提供品質優良的產品。

We reserve the right to modify the design / specification without previous notice for better quality.

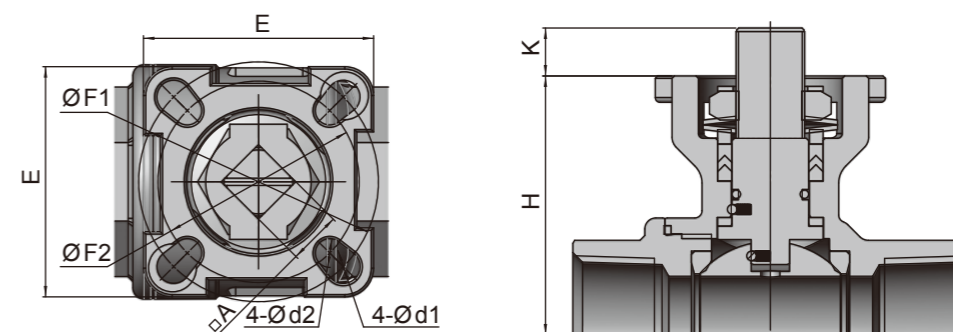
尺寸圖 DIMENSION LIST

型號 Fig. No. : 27T



SIZE	d	L	W	H	ISO5211
1/4"	11.1	57	110	72.7	F04/F05
3/8"	11.1	57	110	72.7	F04/F05
1/2"	15	57	110	72.7	F04/F05
3/4"	20	71	110	72.7	F04/F05
1"	25	83	135	83.5	F04/F05
1-1/4"	32	91	165	88.7	F05/F07
1-1/2"	38	104	165	100.8	F05/F07
2"	50	123	165	118	F05/F07
2-1/2"	65	155	300	155	F07/F10
3"	80	182	335	165	F07/F10
4"	100	240	335	180	F07/F10

平台架尺寸 DIMENSIONS OF ISO MOUNTING PAD



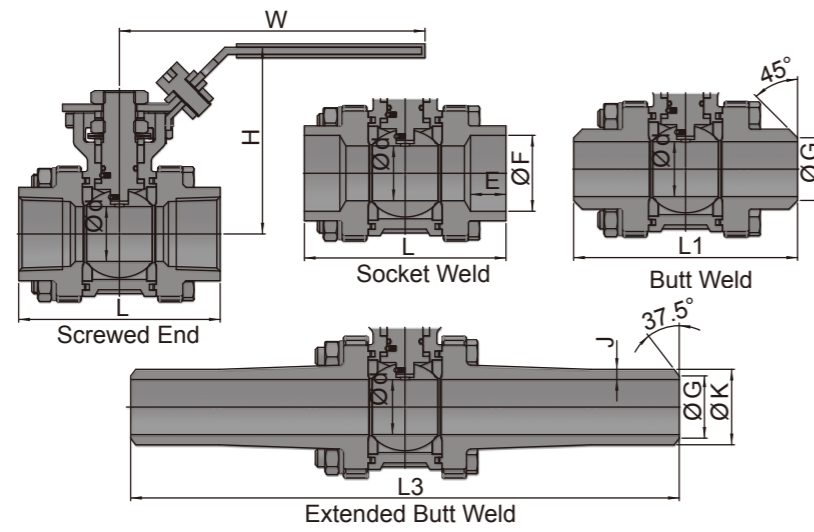
SIZE	A	d1	d2	E	F1	F2	K	H	ISO5211
1/4"	9	7	6	48	50	42	8	42.3	F04/F05
3/8"	9	7	6	48	50	42	8	42.3	F04/F05
1/2"	9	7	6	48	50	42	8	42.3	F04/F05
3/4"	9	7	6	48	50	42	8	44.8	F04/F05
1"	11	7	6	48	50	42	10	54	F04/F05
1-1/4"	11	9	7	68	70	50	10	59.2	F05/F07
1-1/2"	11	9	7	68	70	50	10	71.3	F05/F07
2"	14	9	7	68	70	50	14.8	82.9	F05/F07
2-1/2"	17	11	9	94	102	70	17.1	107	F07/F10
3"	17	11	9	94	102	70	17.1	117.3	F07/F10
4"	17	11	9	94	102	70	17.1	132.3	F07/F10

* 我方有權隨時變更材質/設計/規格，以便提供品質優良的產品。

We reserve the right to modify the design / specification without previous notice for better quality.

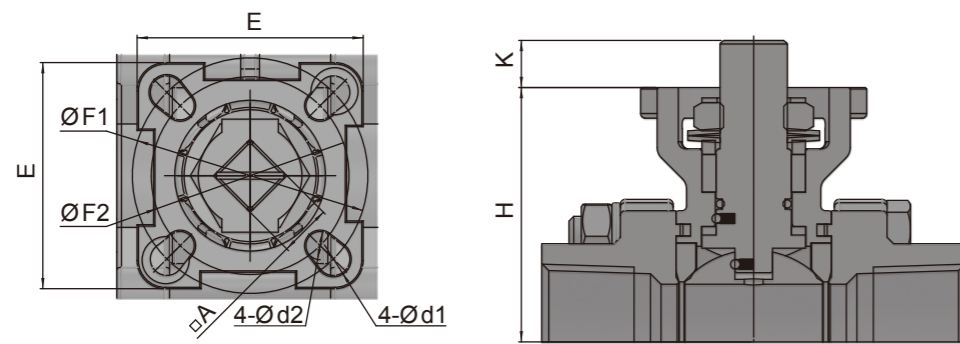
尺寸圖 DIMENSION LIST

型號 Fig. No. : 307



SIZE	d	L	L1	L3	W	H	E	F	G	K	J SCH40	ISO5211
1/4"	11.1	75	75	-	110	70.9	10	14.2	13	-	-	F03/F04
3/8"	11.1	75	75	-	110	70.9	10	17.7	13	-	-	F03/F04
1/2"	16	75	75	225	110	70.9	11.2	21.8	17	21.3	2.77	F03/F04
3/4"	20	80	90	225	110	73.4	14.3	27.2	22	26.9	2.87	F03/F04
1"	24.5	90	100	245	135	84.1	15.8	33.9	28	33.7	3.38	F04/F05
1-1/4"	32	110	110	255	165	89.3	17.5	42.7	37	42.4	3.56	F04/F05
1-1/2"	38	120	125	260	165	109.5	19.1	48.8	43	48.3	3.68	F05/F07
2"	50	140	150	275	165	118.9	21.3	61.2	54	60.3	3.91	F05/F07
2-1/2"	65	185	190	334	300	155	22	74	72	76.1	5.16	F07/F10
3"	80	205	220	354	335	165	26	90	84	88.9	5.49	F07/F10
4"	100	240	270	365	335	180	32	115.6	109	114.3	5.74	F07/F10

平台架尺寸 DIMENSIONS OF ISO MOUNTING PAD



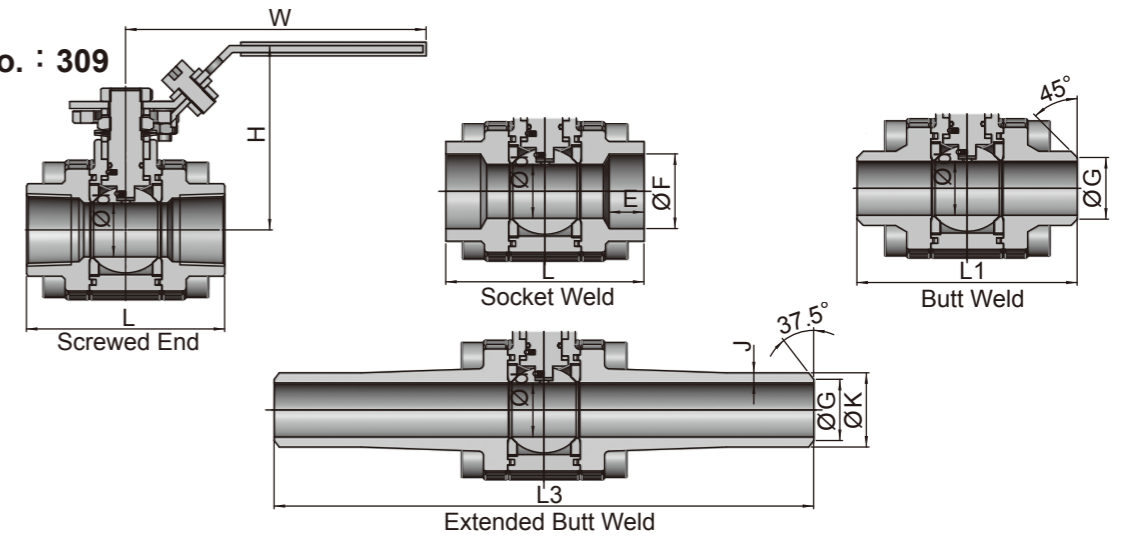
SIZE	A	d1	d2	E	F1	F2	K	H	ISO5211
1/4"	9	6	6	42	42	36	8	42.3	F03/F04
3/8"	9	6	6	42	42	36	8	42.3	F03/F04
1/2"	9	6	6	42	42	36	8	42.3	F03/F04
3/4"	9	6	6	42	42	36	8	44.8	F03/F04
1"	11	7	6	48	50	42	10	54	F04/F05
1-1/4"	11	7	6	48	50	42	10	59.2	F04/F05
1-1/2"	14	9	7	68	70	50	14.8	73.5	F05/F07
2"	14	9	7	68	70	50	14.8	82.9	F05/F07
2-1/2"	17	11	9	94	102	70	17.1	107	F07/F10
3"	17	11	9	94	102	70	17.1	117.3	F07/F10
4"	17	11	9	94	102	70	17.1	132.3	F07/F10

* 我方有權隨時變更材質/設計/規格，以便提供品質優良的產品。

We reserve the right to modify the design / specification without previous notice for better quality.

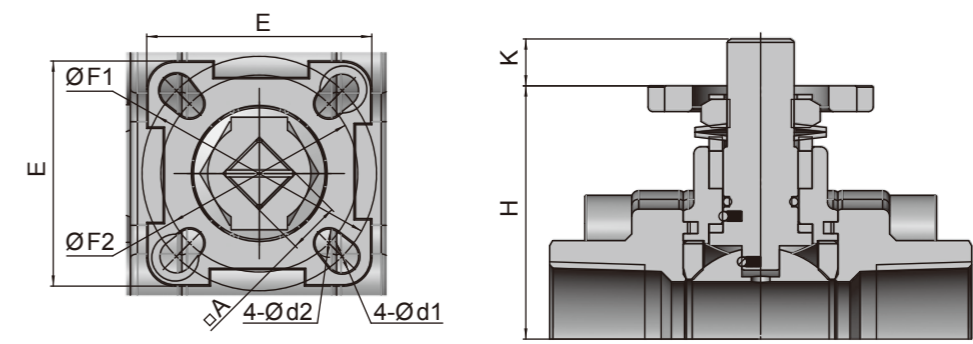
尺寸圖 DIMENSION LIST

型號 Fig. No. : 309



SIZE	d	L	L1	L3	W	H	E	F	G	K	J SCH40	SCH80	ISO5211
1/4"	11.1	75	75	-	110	70.9	10	14.2	13	-	-	-	F03/F04
3/8"	11.1	75	75	-	110	70.9	10	17.7	13	-	-	-	F03/F04
1/2"	16	75	75	225	110	70.9	11.2	21.8	17	21.3	2.77	3.73	F03/F04
3/4"	20	80	90	225	110	73.4	14.3	27.2	22	26.9	2.87	3.91	F03/F04
1"	24.5	90	100	245	135	84.1	15.8	33.9	28	33.7	3.38	4.55	F04/F05
1-1/4"	32	110	110	255	165	89.3	17.5	42.7	37	42.4	3.56	4.85	F04/F05
1-1/2"	38	120	125	260	165	109.5	19.1	48.8	43	48.3	3.68	5.08	F05/F07
2"	50	140	150	275	165	118.9	21.3	61.2	54	60.3	3.91	5.51	F05/F07
2-1/2"	65	185	190	334	300	155	22	74	72	-	-	-	F07/F10
3"	80	205	220	354	335	165	26	90	84	-	-	-	F07/F10
4"	100	240	270	365	335	180	32	115.6	109	-	-	-	F07/F10

平台架尺寸 DIMENSIONS OF ISO MOUNTING PAD



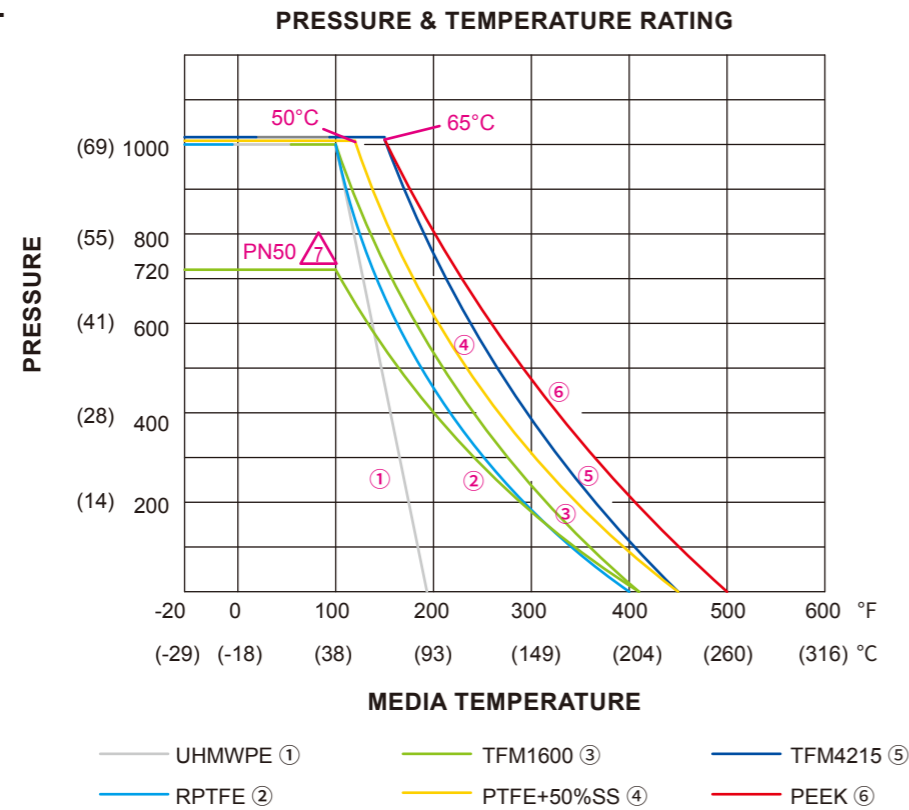
SIZE	A	d1	d2	E	F1	F2	K	H	ISO5211
1/4"	9	6	6	42	42	36	8	42.3	F03/F04
3/8"	9	6	6	42	42	36	8	42.3	F03/F04
1/2"	9	6	6	42	42	36	8	42.3	F03/F04
3/4"	9	6	6	42	42	36	8	44.8	F03/F04
1"	11	7	6	48	50	42	10	54	F04/F05
1-1/4"	11	7	6	48	50	42	10	59.2	F04/F05
1-1/2"	14	9	7	68	70	50	14.8	73.5	F05/F07
2"	14	9	7	68	70	50	14.8	82.9	F05/F07
2-1/2"	17	11	9	94	102	70	17.1	107	F07/F10
3"	17	11	9	94	102	70	17.1	117.3	F07/F10
4"	17	11	9	94	102	70	17.1	132.3	F07/F10

* 我方有權隨時變更材質/設計/規格，以便提供品質優良的產品。

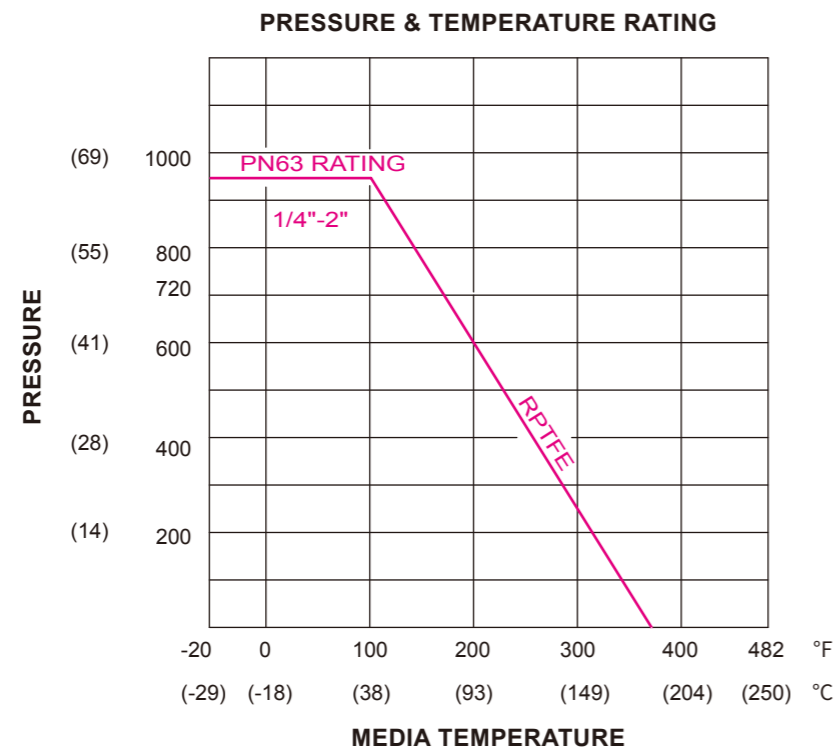
We reserve the right to modify the design / specification without previous notice for better quality.

溫度壓力曲線圖 P/T CHART

型號 Fig. No. : 27T



型號 Fig. No. : 307

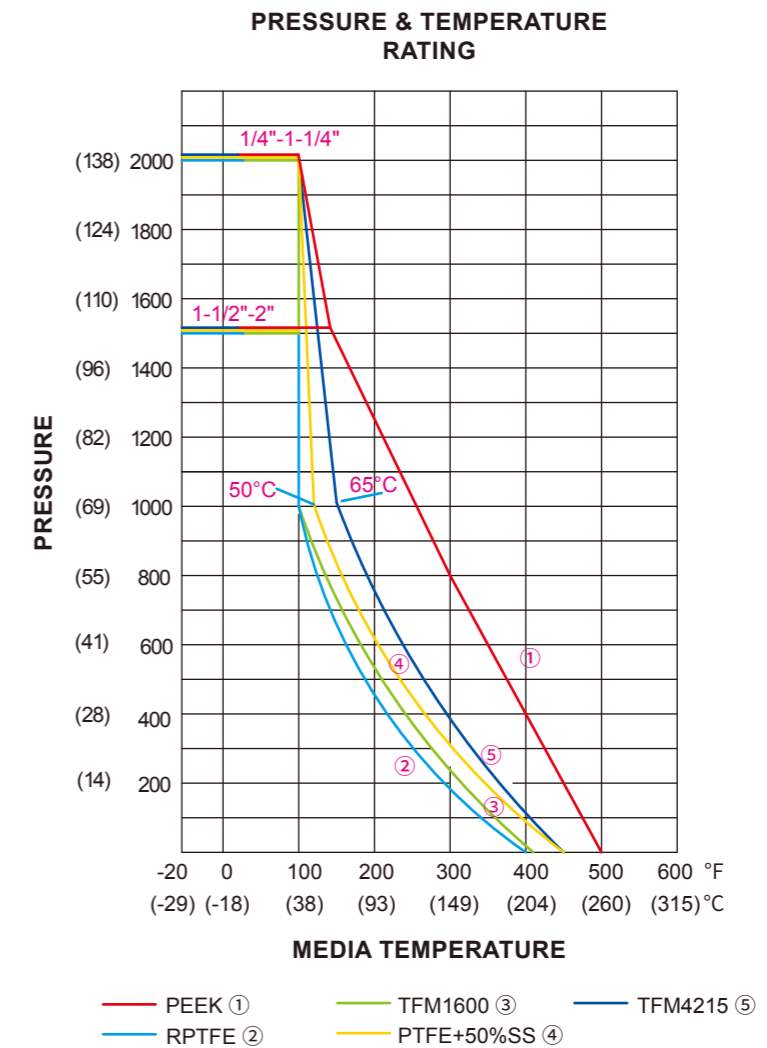


Remark:

1. It is recommended that the appropriate seat material, providing a higher pressure & temperature, is selected, if you feel the standard material is borderline and you prefer a larger safety allowance.
2. For steam service, options available are PEEK, PTFE+50%SS, or Metal seat, depending on the service application.
3. Final selection of seat material is the user's choice, experience & responsibility.
4. Solid Lines-Continuous Temperature
Dotted Lines-Intermittent / Peak Temperature

溫度壓力曲線圖 P/T CHART

型號 Fig. No. : 309



Remark:

1. It is recommended that the appropriate seat material, providing a higher pressure & temperature, is selected, if you feel the standard material is borderline and you prefer a larger safety allowance.
2. For steam service, options available are PEEK, PTFE+50%SS, or Metal seat, depending on the service application.
3. Final selection of seat material is the user's choice, experience & responsibility.
4. Solid Lines-Continuous Temperature
Dotted Lines-Intermittent / Peak Temperature