



應用 APPLICATIONS

礦業與礦物加工業、水與汙水處理、化工廠、石油與天然氣工業、高壓流體、蒸氣及高溫流體、壓縮天然氣與液化天然氣、一般流體。
Mining & Mineral Processing, Water & Waste Water, Chemical Plant, Oil & Gas, High Pressure Fluid, Steam & High Temperature Fluid, CNG & LNG, General Fluid.

技術資料 TECHNICAL DATA

設計 Design	ASME B16.34, EN12516-1
尺寸 Size	1/2" ~ 8" (DN15 ~ DN200)
壓力等級 Pressure Rating	ASME Class 150, PN16
端口 End Connections	法蘭端 Flanged End
產品檢測 Testing	API 598, EN12266-1
流量 Bore	全流量 Full Bore
認證 Certificate	API 607 ATEX TA-Luft PED 2014/68/EU 認證適用於 CE 市場的產品 PED 2014/68/EU approval for CE market product.

特點 FEATURES

- 以具有競爭力的價格提供卓越的閥門設計。
 - 可使用於執行器的 ISO 平台架。
 - 延長軸心可應要求提供。
 - RPTFE密封消除了對產品污染的擔憂。
 - 防火認證 API 607，可應要求提供。
 - 較低的操作扭力，便於操作並降低執行器成本。
 - 明確的開關位置指示。
 - 防爆軸心。
 - NACE MR0175 可應要求提供。
 - 可使用附鎖裝置。
 - 防靜電裝置。
 - 根據 ISO 9001 認證的質量體系製造。
 - 標準 CE 標示符合 PED 2014/68/EU，可應要求提供。
 - 多種球座材質可供選擇。
- 除了標準的球座，各種球座有以下材質可供選擇。每個球座選項將滿足廣泛的性能，適用於許多應用：
- PTFE + 15% Glass Fiber
 - PTFE + 25% Carbon Fiber
 - Modified PTFE
 - Modified PTFE + 25% Carbon Fiber
 - PTFE + 50% SS
 - PEEK
 - UHMWPE
- * 請參考溫壓圖

- Superior valve design at a competitive price.
 - Machined ISO actuator mounting pad.
 - Extension Bonnet is available on request.
 - RPTFE seal relieves concern over product contamination.
 - Fire test certified to API 607. Available on request.
 - Lower operating torque for ease of operation and reduced actuator cost.
 - Positive position indication.
 - Blowout-proof shaft.
 - NACE MR0175 available on request.
 - Locking device is available.
 - Anti-Static device.
 - Manufactured under ISO 9001 certified quality system.
 - CE marking according to PED 2014/68/EU standard. Available on request.
 - Various seat material are available.
- In addition to standard seat material, following variety is available. Each material option will meet a wide range of performance, suitable for many applications.
- PTFE + 15% Glass Fiber
 - PTFE + 25% Carbon Fiber
 - Modified PTFE
 - Modified PTFE + 25% Carbon Fiber
 - PTFE + 50% SS
 - PEEK
 - UHMWPE
- * Please refer to the Pressure-Temperature rating.

MODEL 501 / 505

501剖面圖

有槽線標示的方形軸心
Square stem head with flow slot direction

自動調節彈簧墊圈
Live load spring washer

PTFE或是石墨中口
PTFE or Graphite packing

第二道O型環密封
With 2nd sealing stem O-ring

防靜電裝置
Anti-static device

小薄片
Thrust washer

符合標準墊片使用的粗糙度
3.2 ~ 6.3 Ra
standard gasket finish

鎖牙片鎖入閥體
Body insert

附鎖裝置
Locking device hole

ISO 5211 高平台
ISO 5211 direct mounting pad

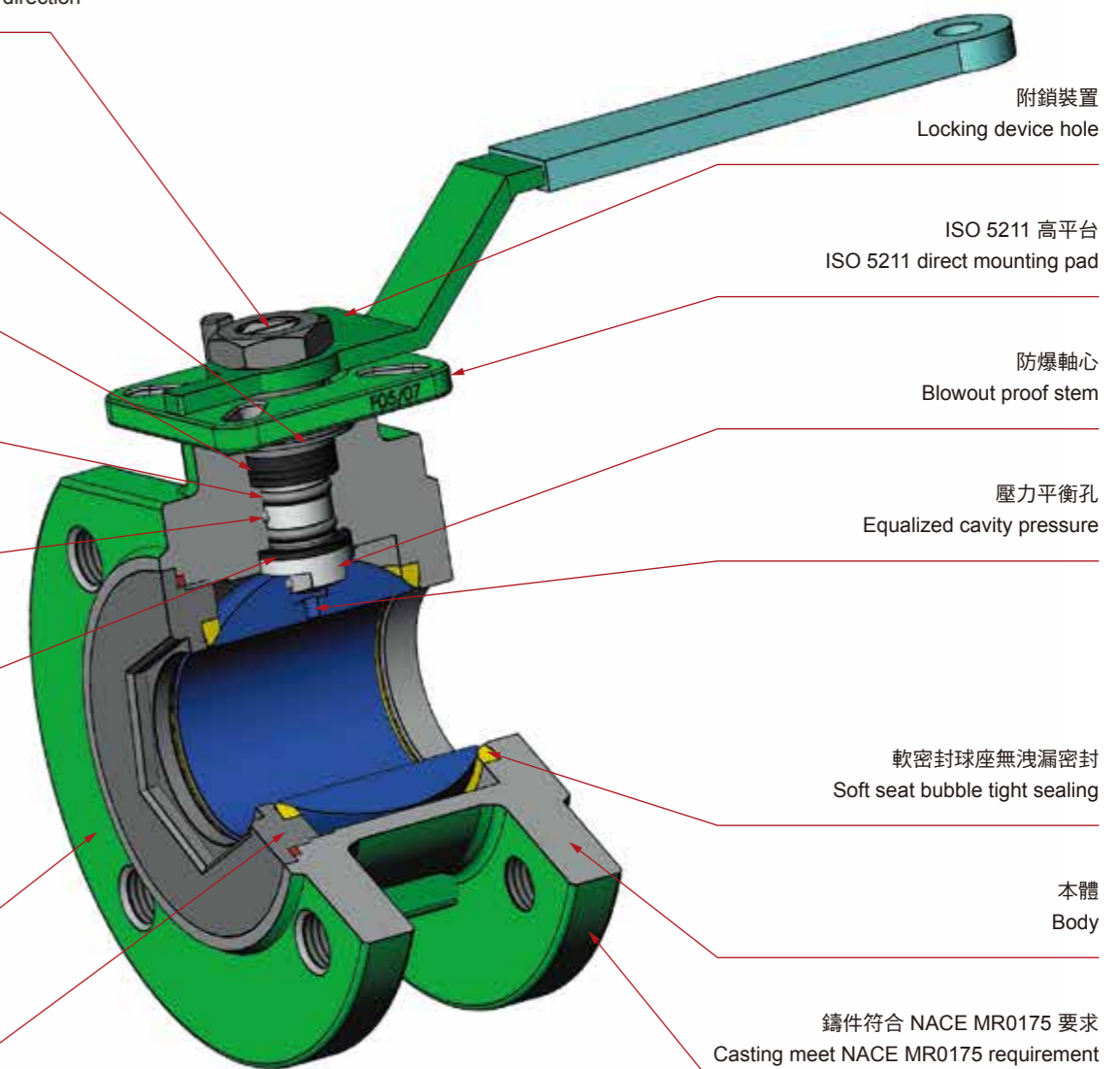
防爆軸心
Blowout proof stem

壓力平衡孔
Equalized cavity pressure

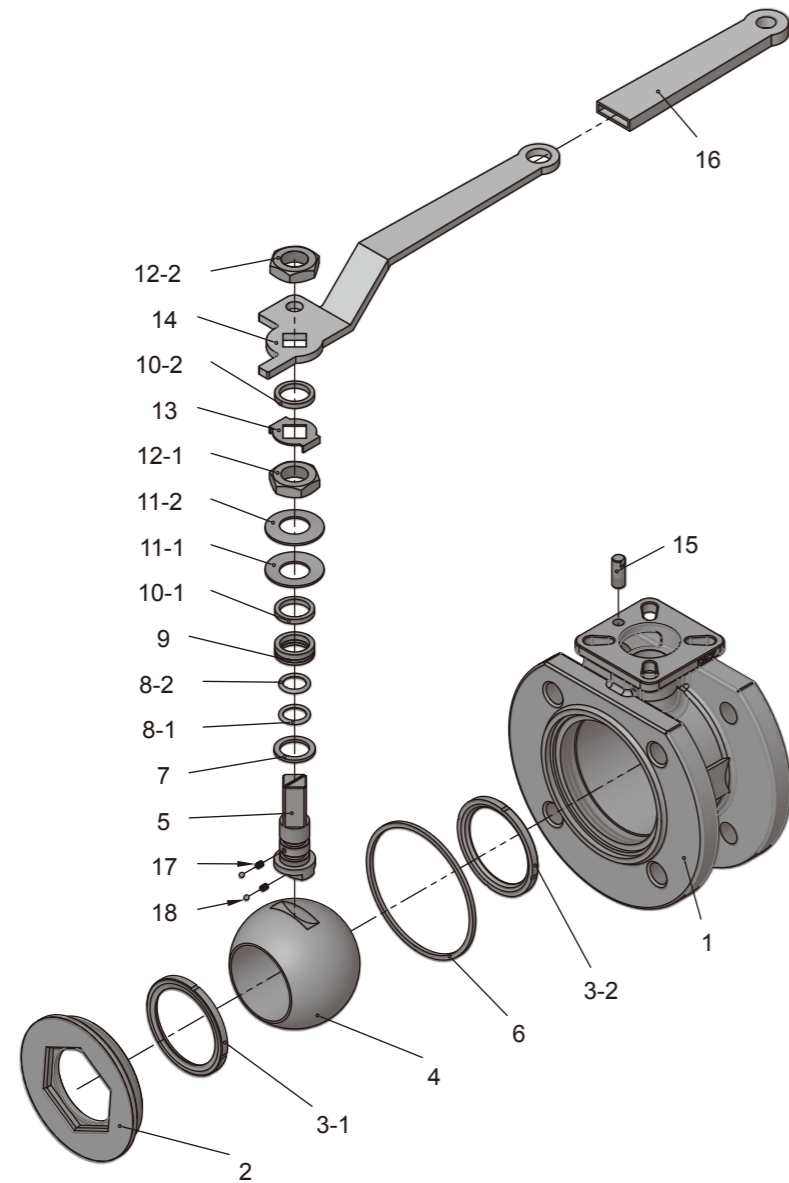
軟密封球座無洩漏密封
Soft seat bubble tight sealing

本體
Body

鑄件符合 NACE MR0175 要求
Casting meet NACE MR0175 requirement



物料表 MATERIAL COMPOSITION

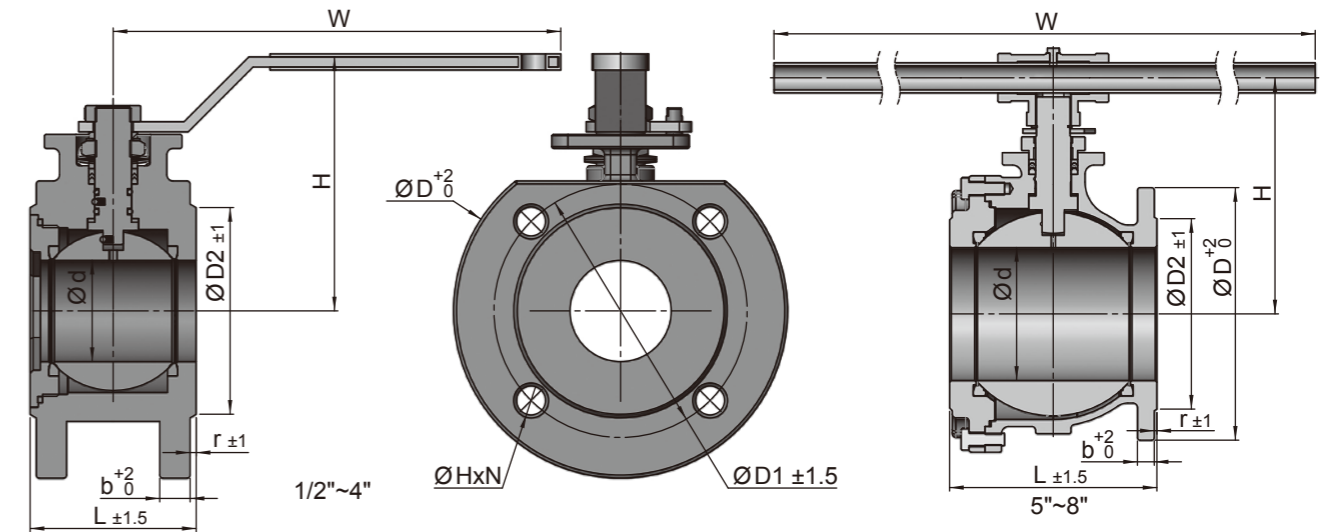


ITEM	PART NAME	STAINLESS STEEL	CARBON STEEL	ITEM	PART NAME	STAINLESS STEEL	CARBON STEEL
1	Body	1.4408	1.0619	10	Gland Ring	SS 304	SS 304
2	End Caps	1.4408	1.0619	11	Spring Washer	SS 301	SS 301
3	Seats	PTFE+15%G.F.	PTFE+15%G.F.	12	Lever Nut	SS 304	SS 304
4	Ball	A351-CF8M	A351-CF8M	13	Locking Tab	SS 304	SS 304
5	Stem	SS 316	SS 316	14	Handle	SS 304	SS 304
6	Body Seal	PTFE	PTFE	15	Stop Screw	SS 304	SS 304
7	Thrust Washer	15%G.F.	15%G.F.	16	Handle Cover	VINYL	VINYL
8	O-Ring	VITON	VITON	17	Spring	SS 316	SS 316
9	Stem Packing	PTFE	PTFE	18	Anti-Static	SS 316	SS 316

* 我方有權隨時變更材質/設計/規格，以便提供品質優良的產品。

We reserve the right to modify the design / specification without previous notice for better quality.

尺寸圖 DIMENSION LIST



501 (PN16)

SIZE	d	D2	D1	D	b	r	L	ØH-N	W	H	ISO5211
1/2"	16	45	65	95	12	2	42	M12x4	114	89	F03/F04
3/4"	20	58	75	105	14	2	44	M12x4	114	89	F03/F04
1"	25	68	85	115	14	2	50	M12x4	187	101	F04/F05
1-1/4"	32	78	100	140	14	2	54	M16x4	187	112	F04/F05
1-1/2"	40	88	110	150	13	3	68	M16x4	222	116	F05/F07
2"	50	102	125	165	15	3	82	M16x4	222	125	F05/F07
2-1/2"	65	122	145	185	15	3	103	M16x4	350	154	F07/F10
3"	80	138	160	200	17	3	122	M16x8	350	165	F07/F10
4"	96	158	180	220	17	3	152	M16x8	350	180	F07/F10
5"	125	188	210	250	16	3	194	M16x8	400	205.6	F10
6"	150	214.9	240	285	19	3	234	M20x8	800	266.5	F12
8"	200	267.9	295	340	21	3	305	M20x12	1100	336	F14

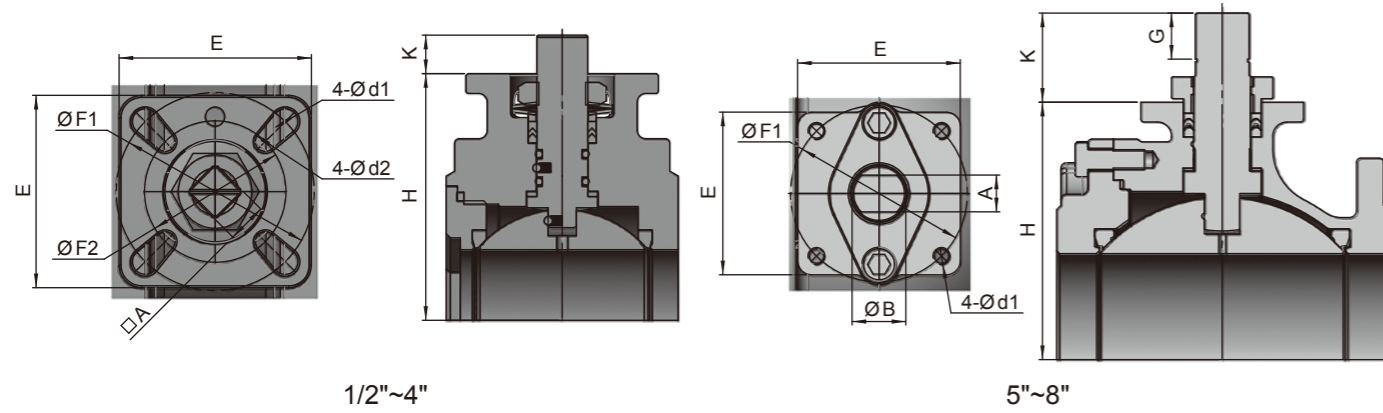
505 (Class 150)

SIZE	d	D2	D1	D	b	r	L	ØH-N	W	H	ISO5211
1/2"	16	35	60.5	89	9.5	1.6	42	1/2"-13UNCx4	114	89	F03/F04
3/4"	20	43	69.8	99	9.5	1.6	44	1/2"-13UNCx4	114	89	F03/F04
1"	25	51	79.2	108	9.7	1.6	50	1/2"-13UNCx4	187	101	F04/F05
1-1/4"	32	64	88.9	117	11.2	1.6	54	1/2"-13UNCx4	187	112	F04/F05
1-1/2"	38	73	98.6	127	12.7	1.6	68	1/2"-13UNCx4	222	116	F05/F07
2"	50	92	120.6	152	14.2	1.6	82	5/8"-11UNCx4	222	125	F05/F07
2-1/2"	65	105	139.7	178	15.7	1.6	103	5/8"-11UNCx4	350	154	F07/F10
3"	73	127	152.4	190	17.5	1.6	122	5/8"-11UNCx4	350	165	F07/F10
4"	96	157	190.5	229	22.4	1.6	152	5/8"-11UNCx8	350	180	F07/F10
5"	125	185.6	215.9	254	22.5	1.6	194	3/4"-10UNCx8	400	204.7	F10
6"	150	215.9	241.3	279	23.9	1.6	234	3/4"-10UNCx8	800	270	F12

* 我方有權隨時變更材質/設計/規格，以便提供品質優良的產品。

We reserve the right to modify the design / specification without previous notice for better quality.

平台架尺寸 DIMENSIONS OF ISO MOUNTING PAD



1/2"~4"

5"~8"

501 (PN16)

SIZE	A	B	d1	d2	E	F1	F2	G	K	H	ISO5211
1/2"	9	-	6	6	42	42	36	-	8	54	F03/F04
3/4"	9	-	6	6	42	42	36	-	8	56	F03/F04
1"	11	-	7	6	48	50	42	-	12	62.5	F04/F05
1-1/4"	11	-	7	6	48	50	42	-	12	72	F04/F05
1-1/2"	14	-	9	7	68	70	50	-	14.8	78	F05/F07
2"	14	-	9	7	68	70	50	-	14.8	87.2	F05/F07
2-1/2"	17	-	11	9	94	102	70	-	17.1	107	F07/F10
3"	17	-	11	9	94	102	70	-	17.1	117.3	F07/F10
4"	17	-	11	9	94	102	70	-	17.1	132.3	F07/F10
5"	20	30	M10	-	92	102	-	24.5	47.2	148	F10
6"	26	38	M12	-	115	125	-	32.6	63	182	F12
8"	32	48	M16	-	137.5	140	-	42.1	76.5	233.5	F14

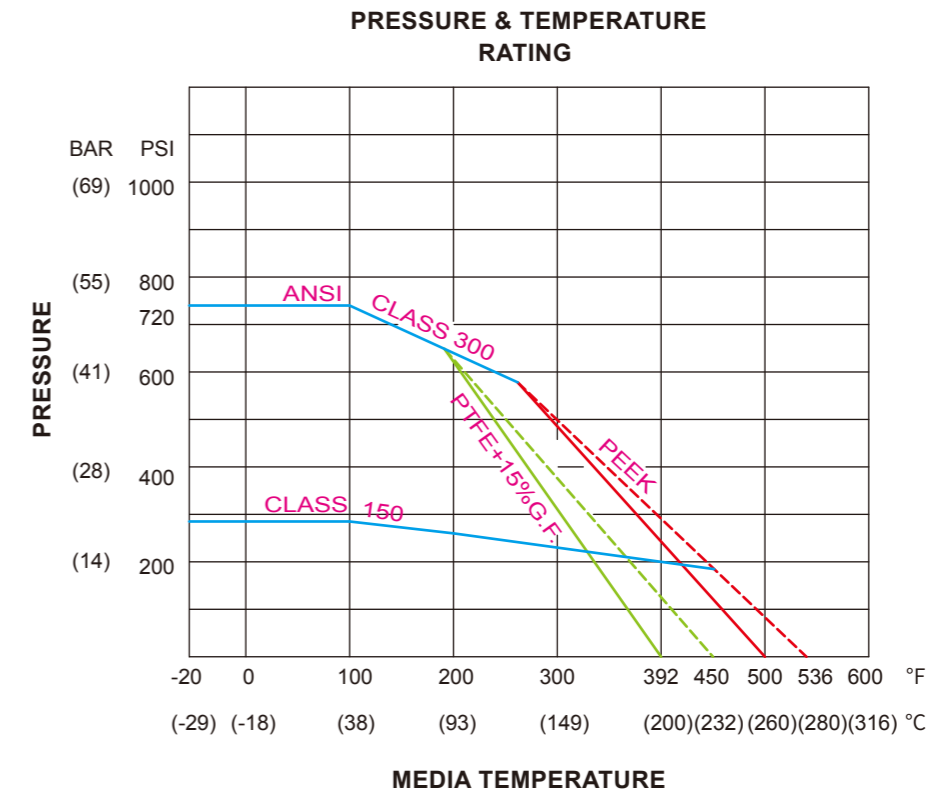
505 (Class 150)

SIZE	A	B	d1	d2	E	F1	F2	G	K	H	ISO5211
1/2"	9	-	6	6	42	42	36	-	8	54	F03/F04
3/4"	9	-	6	6	42	42	36	-	8	56	F03/F04
1"	11	-	7	6	48	50	42	-	12	62.5	F04/F05
1-1/4"	11	-	7	6	48	50	42	-	12	72	F04/F05
1-1/2"	14	-	9	7	68	70	50	-	14.8	78	F05/F07
2"	14	-	9	7	68	70	50	-	14.8	87.2	F05/F07
2-1/2"	17	-	11	9	94	102	70	-	17.1	107	F07/F10
3"	17	-	11	9	94	102	70	-	17.1	117.3	F07/F10
4"	17	-	11	9	94	102	70	-	17.1	132.3	F07/F10
5"	20	30	M10	-	92	102	-	24.5	47.2	148	F10
6"	26	38	M12	-	115	125	-	32.6	63	182	F12

* 我方有權隨時變更材質/設計/規格，以便提供品質優良的產品。

We reserve the right to modify the design / specification without previous notice for better quality.

溫度壓力曲線圖 P/T Chart



Remark:

1. It is recommended that the appropriate seat material, providing a higher pressure & temperature, is selected, if you feel the standard material is borderline and you prefer a larger safety allowance.
2. For steam service, options available are PEEK, PTFE+50%SS, or Metal seat, depending on the service application.
3. Final selection of seat material is the user's choice, experience & responsibility.
4. Solid Lines-Continuous Temperature
Dotted Lines-Intermittent / Peak Temperature