

應用 APPLICATIONS

礦業與礦物加工業、水與汙水處理、化工廠、石油與天然氣工業、高壓流體、蒸氣及高溫流體、壓縮天然氣與液化天然氣、一般流體。
Mining & Mineral Processing, Chemical Plant, Oil & Gas, High Pressure Fluid, Steam & High Temperature Fluid, CNG & LNG, General Fluid.

技術資料 TECHNICAL DATA

設計 Design	ASME B16.34
尺寸 Size	1/2" ~ 8"
壓力等級 Pressure Rating	ASME Class 150, 300
端口 End Connections	法蘭端 Flanged End
產品檢測 Testing	API 598
流量 Bore	減流量 Reduced Bore
認證 Certificate	API 607

特點 FEATURES

- 以具有競爭力的價格提供卓越的閥門設計。
 - 可使用於執行器的 ISO 平台架。
 - RPTFE密封消除了對產品污染的擔憂。
 - 防火認證 API 607。可應要求提供。
 - 較低的操作扭力，便於操作並降低執行器成本。
 - 明確的開關位置指示。
 - 防爆軸心。
 - NACE MR0175。可應要求提供。
 - 可使用附鎖裝置。
 - 防靜電裝置。
 - 根據 ISO 9001 認證的質量體系製造。
 - 多種球座材質可供選擇。
- 除了標準的球座材質，球座有以下材質可供選擇。每個球座選項將滿足廣泛的性能，適用於許多應用：
- PTFE + 15% Glass Fiber
 - PTFE + 25% Carbon Fiber
 - Modified PTFE
 - Modified PTFE + 25% Carbon Fiber
 - PTFE + 50% SS
 - PEEK
 - UHMWPE
- * 請參考溫壓圖
- Superior valve design at a competitive price.
 - Machined ISO actuator mounting pad.
 - RPTFE seal relieves concern over product contamination.
 - Fire test certified to API 607. Available on request.
 - Lower operating torque for ease of operation and reduced actuator cost.
 - Positive position indication.
 - Blowout-proof shaft.
 - NACE MR0175 available on request.
 - Locking device is available.
 - Anti-Static device.
 - Manufactured under ISO 9001 certified quality system.
 - Various seat material are available.
- In addition to standard seat material, following variety is available. Each material option will meet a wide range of performance, suitable for many applications.
- PTFE + 15% Glass Fiber
 - PTFE + 25% Carbon Fiber
 - Modified PTFE
 - Modified PTFE + 25% Carbon Fiber
 - PTFE + 50% SS
 - PEEK
 - UHMWPE
- * Please refer to the Pressure-Temperature rating.

MODEL **551 / 553**

551剖面圖

雙D軸心設計標示球的位置
Double flat stem design indicates ball position

附鎖裝置
Locking device

防爆軸心
Blowout proof stem

軟密封球座無洩漏密封
Soft seat bubble tight sealing

鎖牙片鎖入閥體
Body insert

第二道防火石墨墊片
Fire safe flexible secondary gasket

本體
Body

主要PTFE墊片
PTFE primary gasket

閥桿軸承
Stem bearing

低逸散性排放中口設計
Low emission packing design

ISO 5211 平台架
ISO 5211 mounting pad

鑄件符合 NACE MR0175 要求
Casting meet NACE MR0175 requirement

符合ASME B16.34 最小壁厚要求
Meet ASME B16.34 min. wall thickness requirement

防火的第二道球座金屬對金屬密封
Fire safe secondary seat metal to metal sealing

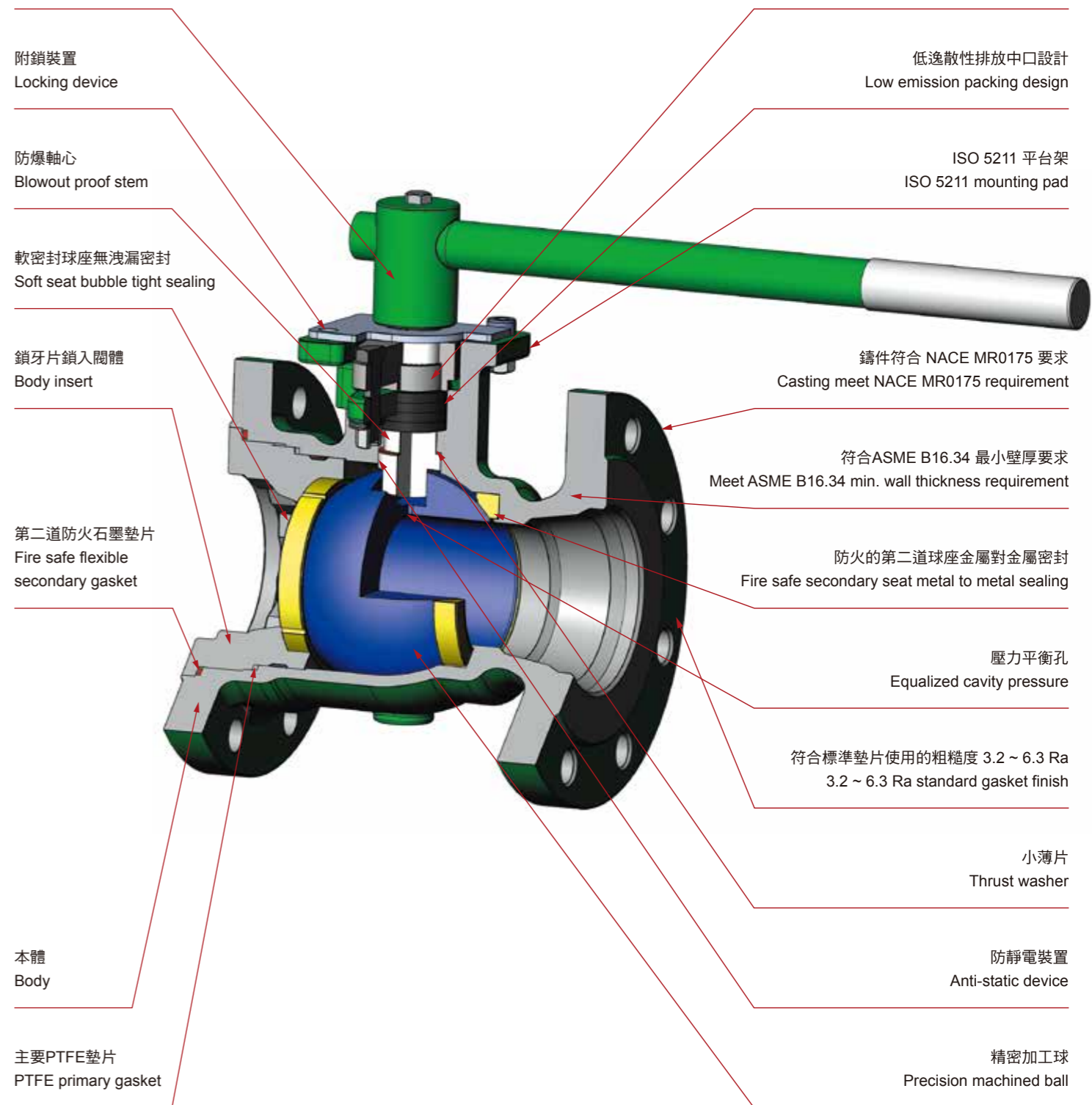
壓力平衡孔
Equalized cavity pressure

符合標準墊片使用的粗糙度 3.2 ~ 6.3 Ra
3.2 ~ 6.3 Ra standard gasket finish

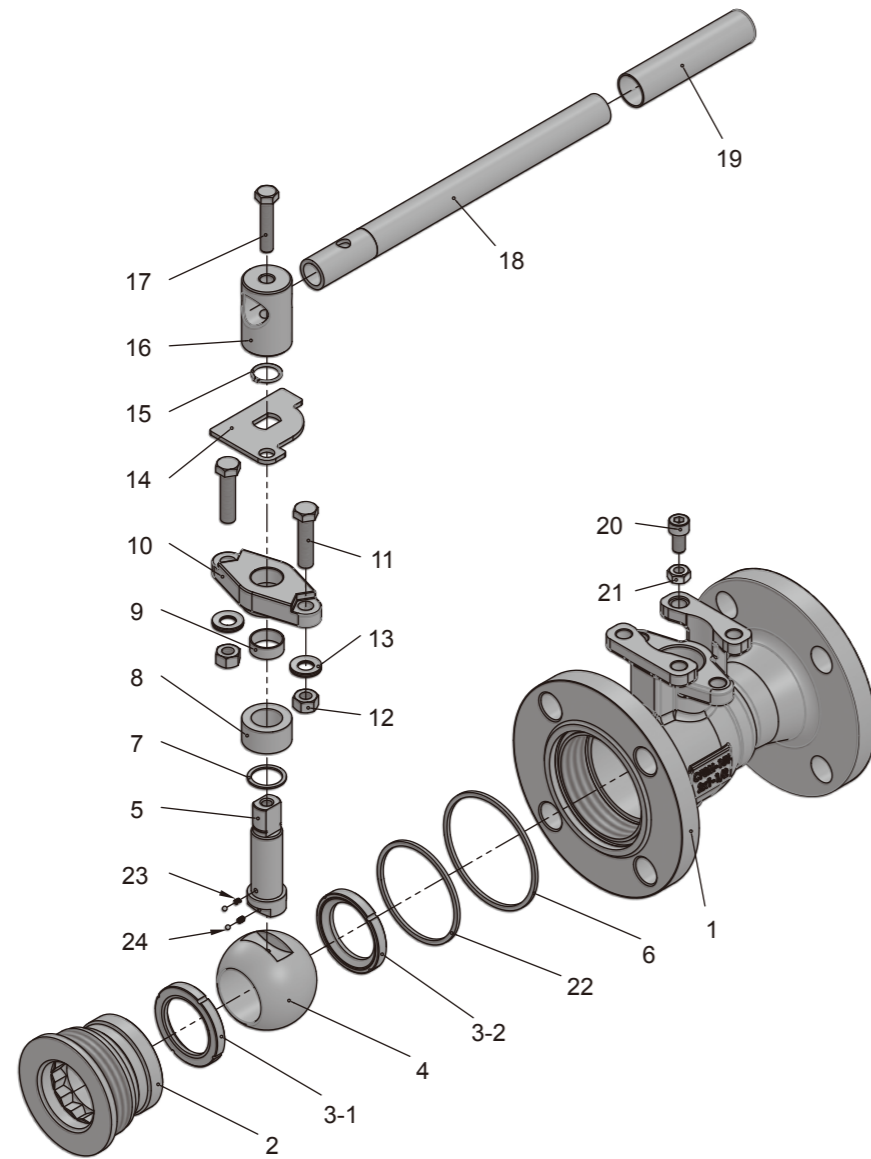
小薄片
Thrust washer

防靜電裝置
Anti-static device

精密加工球
Precision machined ball



物料表 MATERIAL COMPOSITION

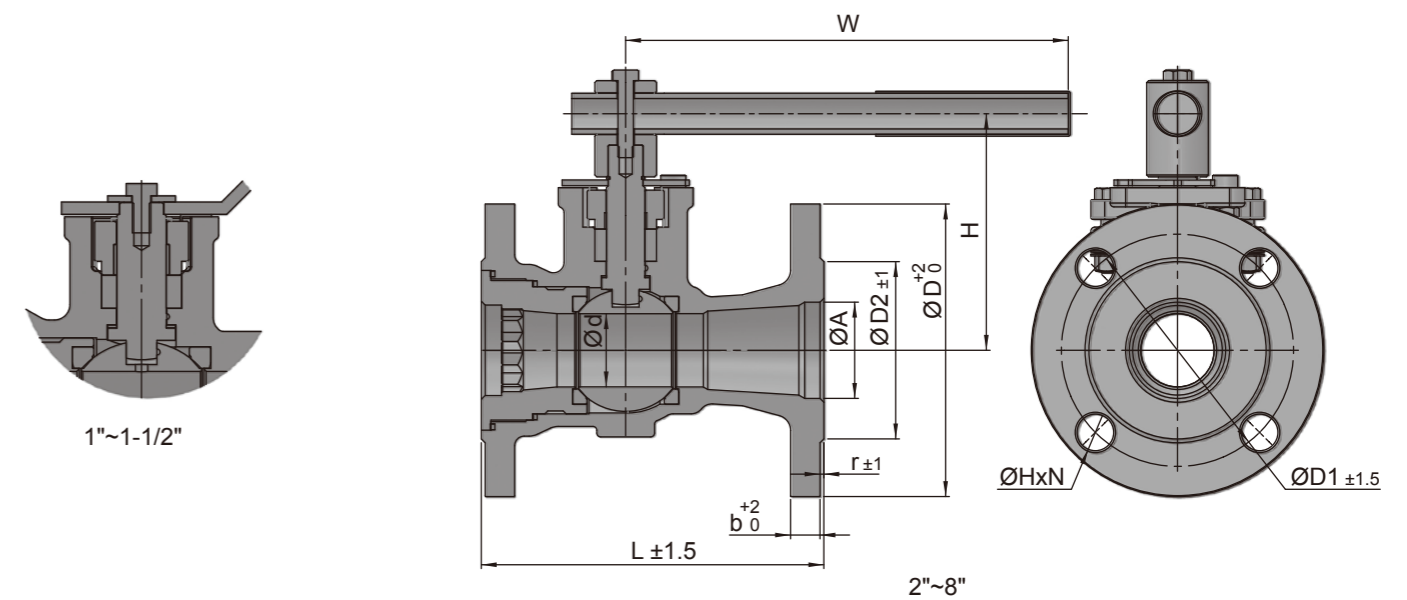


ITEM	PART NAME	STAINLESS STEEL	CARBON STEEL	ITEM	PART NAME	STAINLESS STEEL	CARBON STEEL
1	Body	A351-CF8M	A216-WCB	13	Disc Spring	SS 304	SS 304
2	Seat Retainer	A351-CF8M	A216-WCB	14	Stop Plate	SS 304	SS 304
3	Seat	PTFE+25%G.F.	PTFE+25%G.F.	15	Snap Ring	SS 420	SS 420
4	Ball	A351-CF8M	A351-CF8M	16	T-Block	A216-WCB	A216-WCB
5	Stem	SS 316	SS 316	17	Hex. Bolt	SS 304	SS 304
6	Body Seal	GRAPHITE	GRAPHITE	18	Pipe	STEEL+Zn	STEEL+Zn
7	Gasket	PTFE	PTFE	19	Pipe Cover	VINYL	VINYL
8	Packing	GRAPHITE	GRAPHITE	20	Stop Screw	SS 304	SS 304
9	Stem Bearing	PTFE	PTFE	21	Stop Nut	SS 304	SS 304
10	Gland Flange	A351-CF8	A351-CF8	22	Joint Gasket	PTFE	PTFE
11	Hex. Bolt	A193-B8	A193-B8	23	Spring	SS 316	SS 316
12	Gland Nut	SS 304	SS 304	24	Static Device	SS 316	SS 316

* 我方有權隨時變更材質/設計/規格，以便提供品質優良的產品。

We reserve the right to modify the design / specification without previous notice for better quality.

尺寸圖 DIMENSION LIST



551 (Class 150)

SIZE	d	A	D2	D1	D	b	r	L	ØH-N	W	H	ISO5211
1"	20	25	50.8	79.2	108	9.7	2	127	16x4	136.5	84.3	F05
1-1/2"	32	38	73	98.6	127	12.7	2	165	16x4	186.5	105.5	F05
2"	38	50	92.1	120.6	152	14.2	2	178	19x4	230	122.9	F07
3"	62	76.2	127	152.4	190	17.5	2	203	19x4	350	169	F10
4"	76.2	102	157.2	190.5	229	22.4	2	229	19x8	400	189.9	F10
6"	102	152.5	215.9	241.3	279	23.9	2	267	22x8	400	219.8	F10
8"	150	201	269.9	298.4	343	26.9	2	292	22x8	800	281	F12

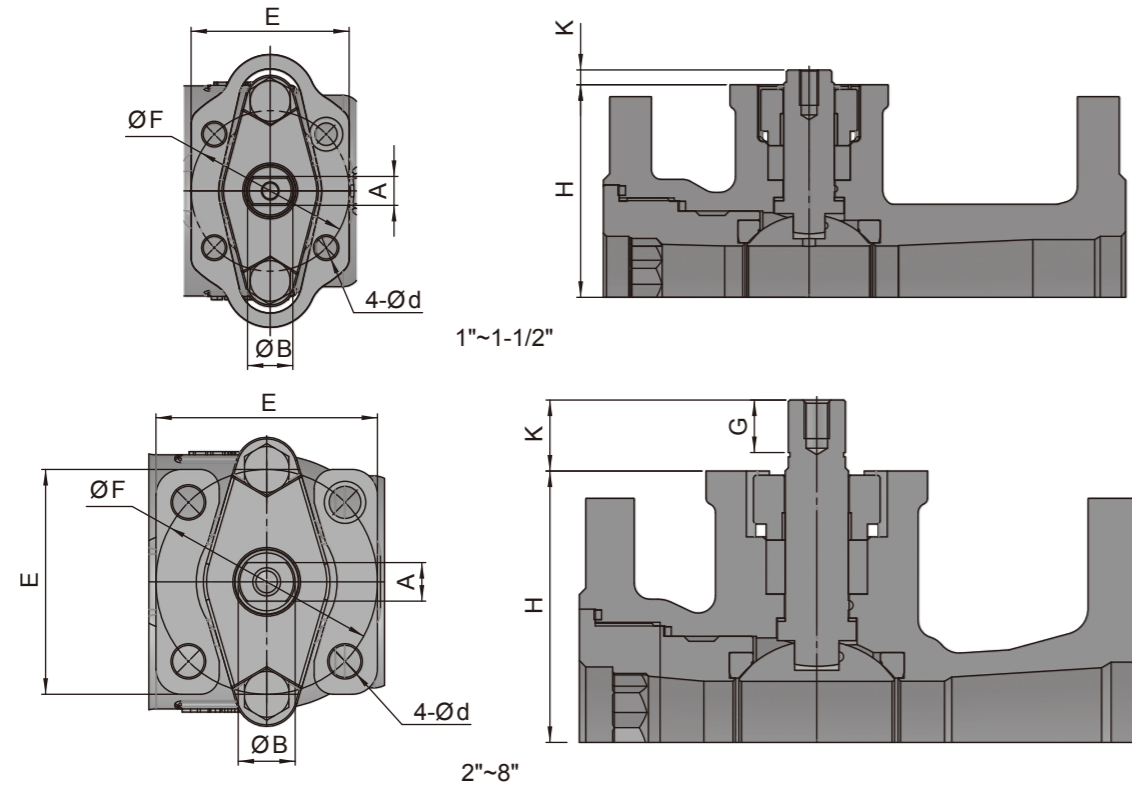
553 (Class 300)

SIZE	d	A	D2	D1	D	b	r	L	ØH-N	W	H	ISO5211
1"	20	25	50.8	88.9	125	15.7	2	165	19x4	136.5	84.3	F05
1-1/2"	32	38	73	114.3	155	19	2	190	22x4	186.5	105.5	F05
2"	38	50	92.1	127	165	20.6	2	216	19x8	230	122.9	F07
3"	62	76.2	127	168.1	210	26.9	2	282	22x8	350	169	F10
4"	76.2	102	157.2	200.2	255	30.2	2	305	22x8	400	189.9	F10
6"	102	152.5	215.9	269.7	320	35.1	2	403	22x12	400	219.8	F10
8"	150	201	269.9	330.2	380	36.9	2	419	25x12	800	281	F12

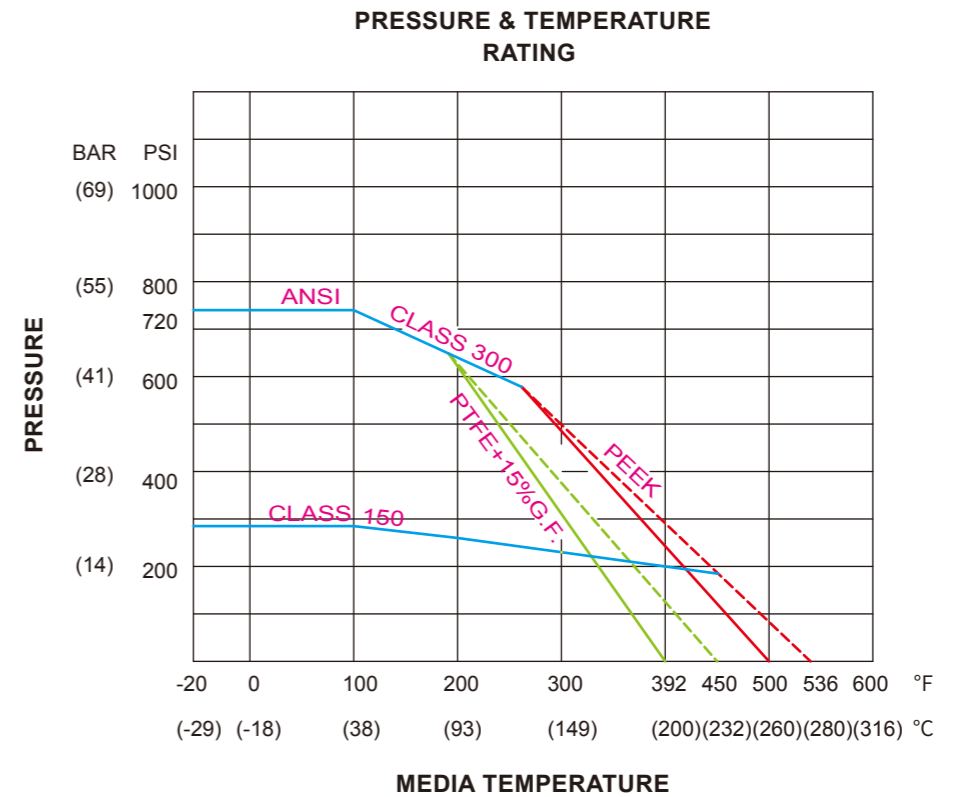
* 我方有權隨時變更材質/設計/規格，以便提供品質優良的產品。

We reserve the right to modify the design / specification without previous notice for better quality.

平台架尺寸 DIMENSIONS OF ISO MOUNTING PAD



溫度壓力曲線圖 P/T Chart



551 (Class 150)

SIZE	A	B	d	E	F	G	K	H	ISO5211
1"	8	12.7	7	50	50	3.9	4.9	49.8	F05
1-1/2"	9	16	7	50	50	10	10.8	66.2	F05
2"	12	18	10	70	70	16.4	22.1	84.5	F07
3"	16	25	12	95.5	102	24.4	31.7	116.1	F10
4"	20	30	12	100	102	24.4	32.1	137	F10
6"	20	30	12	100	102	24.4	32.1	166.5	F10
8"	26	38	14	115	125	32.9	40.8	219.2	F12

553 (Class 300)

SIZE	A	B	d	E	F	G	K	H	ISO5211
1"	8	12.7	7	50	50	3.9	4.9	49.8	F05
1-1/2"	9	16	7	50	50	10	10.8	66.2	F05
2"	12	18	10	70	70	16.4	22.1	84.5	F07
3"	16	25	12	95.5	102	24.4	31.7	116.1	F10
4"	20	30	12	100	102	24.4	32.1	137	F10
6"	20	30	12	100	102	24.4	32.1	166.5	F10
8"	26	38	14	115	125	32.9	40.8	219.2	F12

* 我方有權隨時變更材質/設計/規格，以便提供品質優良的產品。

We reserve the right to modify the design / specification without previous notice for better quality.

Remark:

1. It is recommended that the appropriate seat material, providing a higher pressure & temperature, is selected, if you feel the standard material is borderline and you prefer a larger safety allowance.
2. For steam service, options available are PEEK, PTFE+50%SS, or Metal seat, depending on the service application.
3. Final selection of seat material is the user's choice, experience & responsibility.
4. Solid Lines-Continuous Temperature
Dotted Lines-Intermittent / Peak Temperature