



應用 APPLICATIONS

礦業與礦物加工業、水與污水處理、化工廠、石油與天然氣工業、發電廠、造船工業、高壓流體、蒸氣及高溫流體、一般流體。
Mining & Mineral Processing, Water & Waste Water, Chemical Plant, Oil & Gas Industry, Power Plant, Ship-Building Industry, High Pressure Fluid, Steam & High Temperature Fluid, General Fluid.

技術資料 TECHNICAL DATA

設計 Design	B16.34, API 603, API 600, API 602
尺寸 Size	1/2" ~ 12"
壓力等級 Pressure Rating	600 WOG, Class 150 ~ Class 2500, JIS 10K, PN16
端口 End Connections	牙口端 Threaded End: O5, O8 套焊端 Socket Weld End: O5, O8 法蘭端 Flanged End: O6
產品檢測 Testing	API 598
流量 Bore	全流量 Full Bore

特點 FEATURES

- 以具有競爭力的價格提供卓越的閥門設計。
- 明確的方向指示。
- 根據 ISO 9001 認證的質量體系製造。
- 多種球座材質可供選擇。

- Superior valve design at a competitive price.
- Positive Direction indication.
- Manufactured under ISO 9001 certified quality system.
- Various seat material are available.

除了標準的球座材質，球座有以下材質可供選擇。
每個球座選項將滿足廣泛的性能，適用於許多應用：

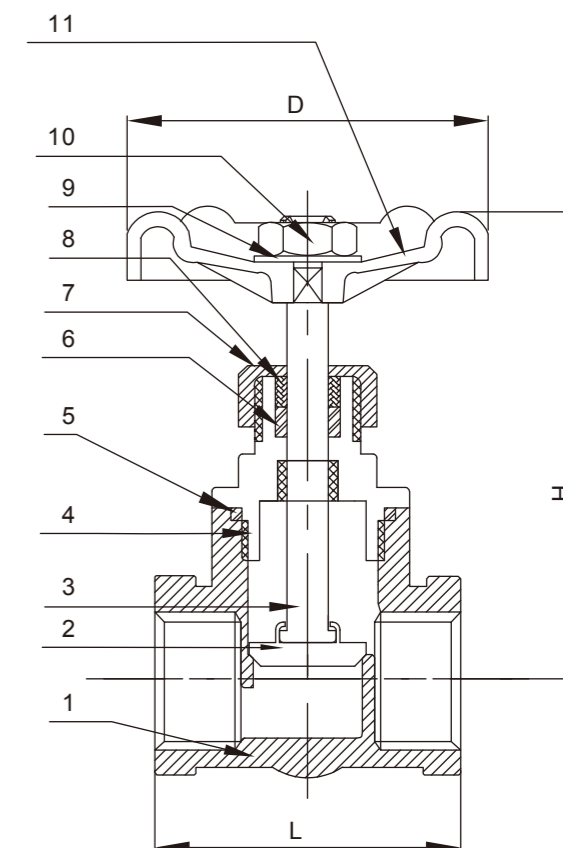
In addition to standard seat material, following variety is available.
Each material option will meet a wide range of performance, suitable for many applications.

- Metal Seat
- Stellite 6 Body Seat
- Stellite 6 Body + Disc Sealing

- Metal Seat
- Stellite 6 Body Seat
- Stellite 6 Body + Disc Sealing

物料表 MATERIAL COMPOSITION

型號 Fig. No. : O5



ITEM	PART NAME	Q'TY	MATERIAL
1	Body	1	316;CF8M
2	Disc	1	316;CF8M
3	Stem	1	316;CF8M
4	Cap	1	316;CF8M
5	Gasket	1	Teflon
6	Packing	1	Teflon
7	Cap Nut	1	304;316
8	Gland Washer	1	304;316
9	Spin Washer	1	Aluminum
10	Nut	1	304
11	Handle	1	Aluminum

尺寸圖 DIMENSION LIST

O5 (600psi)

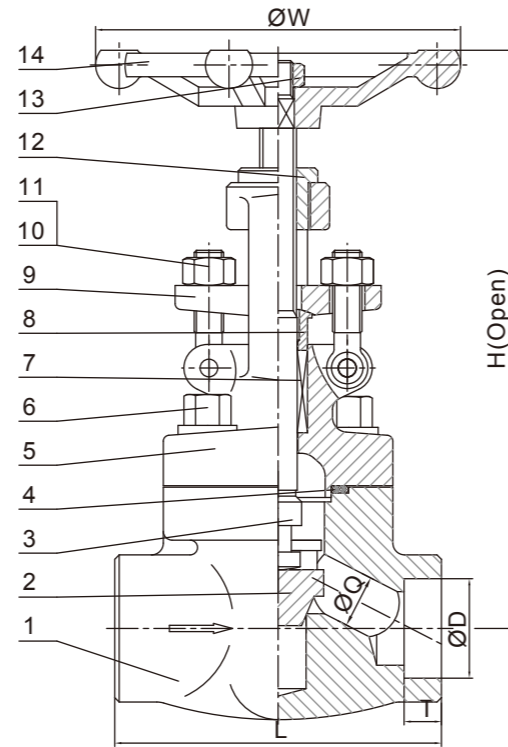
VALVE SIZE	1/4"	3/8"	1/2"	3/4"	1"	1-1/4"	1-1/2"	2"
L m/m	62.5	62.5	62.5	69.5	76.5	86.0	99.5	109.0
H m/m	98.0	98.0	98.0	98.5	102.5	110.5	115.0	122.0
D m/m	61.0	61.0	61.0	61.0	77.0	77.0	83.0	95.0
WEIGHT(KG)	0.44	0.41	0.39	0.44	0.60	0.79	1.19	1.60
CV	<1	1.0	2.0	5.0	10.0	15.0	22.0	42.0

* 我方有權隨時變更材質/設計/規格，以便提供品質優良的產品。

We reserve the right to modify the design / specification without previous notice for better quality.

物料表 MATERIAL COMPOSITION

型號 Fig. No. : O5-Forge



ITEM	PART NAME	MATERIAL
1	Body+Seat*	A105+13Cr
2	Disc	A276 420
3	Stem	A182 F6a
4	Gasket	304SS+Graphite
5	Bonnet	A105
6	Bolt	A193 B7
7	Packing	Graphite
8	Gland	A276 420
9	Gland Flange	A105
10	Gland Eyebolt	A193 B7
11	Nut	A194 2H
12	Stem Nut	A276 410
13	Locking Nut	A29 1035
14	Handwheel	A197

尺寸圖 DIMENSION LIST

O5-Forge (Class 800)

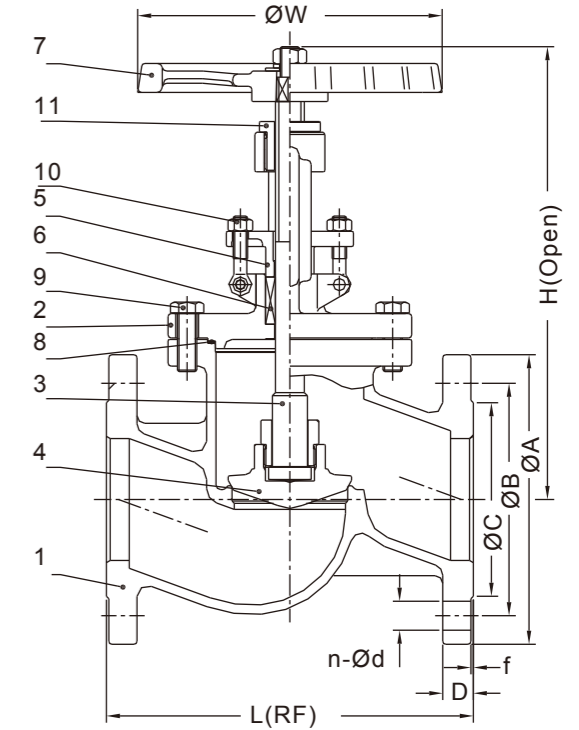
SIZE	CLASS	DIMENSION(mm)				
		L	NPT	ØQ	ØW	H
1/2"	800	79	1/2"	10	100	159
3/4"	800	92	3/4"	13	100	162
1"	800	111	1"	17	125	189
1-1/4"	800	120	1-1/4"	23	152	224
1-1/2"	800	152	1-1/2"	27	152	238
2"	800	172	2"	33	175	279

* 我方有權隨時變更材質/設計/規格，以便提供品質優良的產品。

We reserve the right to modify the design / specification without previous notice for better quality.

物料表 MATERIAL COMPOSITION

型號 Fig. No. : O6



ITEM	PART NAME	MATERIAL	MATERIAL
1	Body	A351-CF8/1.4308	A351-CF8M/1.4408
2	Bonnet	A351-CF8/1.4308	A351-CF8M/1.4408
3	Stem	AISI-304/1.4301	AISI-316/1.4401
4	Disc	A351-CF8/1.4308	A351-CF8M/1.4408
5	Gland	A351-CF8/1.4308	A351-CF8M/1.4408
6	Gland Packing	PTFE / Graphite	PTFE / Graphite
7	Handwheel	Ductile Iron	Ductile Iron
8	Gasket	PTFE / Graphite	PTFE / Graphite
9	Bonnet Bolt/Nut	AISI-304/1.4301	AISI-304/1.4301
10	Gland Bolt/Nut	AISI-304/1.4301	AISI-304/1.4301
11	Yoke Sleeve	Bronze / Ductile Iron	Bronze / Ductile Iron

尺寸圖 DIMENSION LIST

O6 (Class 150)

Unit: mm

SIZE	IN	1/2"	3/4"	1"	1 1/2"	2"	2 1/2"	3"	4"	5"	6"	8"	10"	12"
L(RF)&L1(BW)	mm	15	20	25	40	50	65	80	100	125	150	200	250	300
H		180	185	198	245	266	311	334	377	410	528	550	670	736
ØW		100	100	120	140	160	180	200	225	250	355	400	450	550
ØA		89	98	108	127	152	178	190	229	254	279	343	406	483
ØB		60.5	70	79.5	98.5	120.5	139.5	152.5	190.5	216	241.5	298.5	362	432
ØC		35	43	51	73	92	105	127	157	186	216	270	324	381
D		11.2	11.2	11.2	14.3	15.9	17.5	19.1	23.9	23.9	25.4	28.6	30.2	31.8
f		1.6	1.6	1.6	1.6	1.6	1.6	1.6	1.6	1.6	1.6	1.6	1.6	1.6
n-Ød		4-16	4-16	4-16	4-16	4-19	4-19	4-19	8-19	8-22	8-22	8-22	12-25	12-25
WEIGHT(KG)		2.7	3.1	3.8	7.5	11.1	15.7	20.4	32	45	62.8	100	173	205

O6 (PN16)

Unit: mm

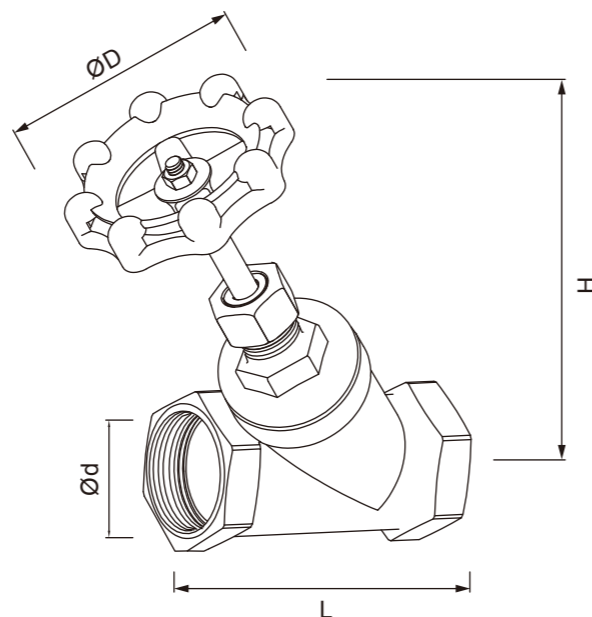
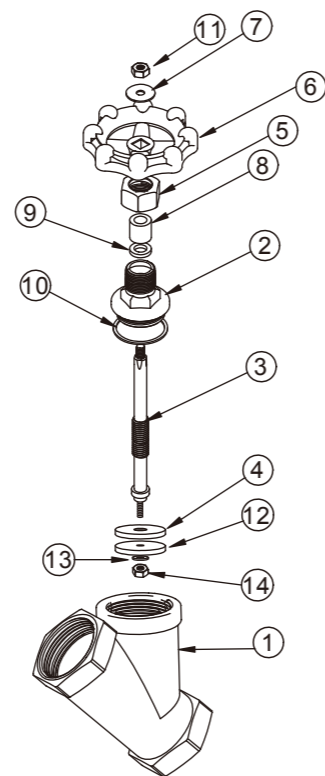
SIZE	IN	1/2"	3/4"	1"	1 1/2"	2"	2 1/2"	3"	4"	5"	6"	8"	10"	12"
L(RF)	mm	130	150	160	200	230	290	310	350	400	480	500	600	700
H		180	185	198	245	266	311	334	377	410	528	550	670	736
ØW		100	100	120	140	160	180	200	225	250	355	400	450	550
ØA		95	105	115	150	165	185	200	220	250	285	340	405	460
ØB		65	75	85	110	125	145	160	180	210	240	295	355	410
ØC		45	58	68	88	102	122	138	158	188	212	268	320	378
D		14	16	16	16	18	18	20	20	22	22	24	26	28
f		2	2	2	3	3	3	3	3	3	3	3	3	4
n-Ød		4-14	4-14	4-14	4-18	4-18	4-18	8-18	8-18	8-18	8-22	12-22	12-26	12-26

* 我方有權隨時變更材質/設計/規格，以便提供品質優良的產品。

We reserve the right to modify the design / specification without previous notice for better quality.

物料表 MATERIAL COMPOSITION

型號 Fig. No. : O8



ITEM	PART NAME	Q'TY	MATERIAL
1	Body	1	316;CF8M
2	Cap	1	316;CF8M
3	Stem	1	316;CF8M
4	Disc	1	316;CF8M
5	Cap Nut	1	304;316
6	Handle	1	Aluminum
7	Spin Washer	1	Aluminum
8	Gland Washer	1	304;316
9	Packing	1	Teflon
10	Gasket	1	Teflon
11	Nut	1	304;316
12	Disc Sealing	1	Teflon
13	Disc Washer	1	304;316
14	Disc Nut	1	304;316

尺寸圖 DIMENSION LIST

O8 (600psi) (±1mm)

DIMENSION	1/4"	3/8"	1/2"	3/4"	1"	1-1/4"	1-1/2"	2"
L m/m	56.5	56.5	60.0	69.0	84.5	98.5	109.5	135.5
H m/m	79.0	79.0	95.5	99.0	111.0	122.0	128.0	148.0
Ø d m/m	11.0	14.0	18.0	23.0	29.0	37.0	43.5	55.0
Ø D m/m	61.0	61.0	61.0	61.0	77.0	83.0	83.0	95.0
WEIGHT(KG)	0.25	0.22	0.36	0.46	0.69	0.98	1.23	2.00

* 我方有權隨時變更材質/設計/規格，以便提供品質優良的產品。

We reserve the right to modify the design / specification without previous notice for better quality.