



Y型過濾器

Y-Strainer

MODEL **Y5 / Y6**

產品介紹

Product Introduction

應用 APPLICATIONS

礦業與礦物加工業、紙漿和造紙、水與污水處理、化工廠、石油與天然氣工業、發電廠、造船工業、高壓流體、蒸氣及高溫流體、一般流體。
Mining & Mineral Processing, Water & Waste Water, Chemical Plant, Oil & Gas Industry, Power Plant, Ship-Building Industry, High Pressure Fluid, Steam & High Temperature Fluid, General Fluid.

技術資料 TECHNICAL DATA

設計 Design	B16.34
尺寸 Size	1/2" ~ 12"
壓力等級 Pressure Rating	600 WOG: Y5 Class 150, JIS 10K, PN16: Y6
端口 End Connections	牙口端 Threaded End: Y5 法蘭端 Flanged End: Y6
產品檢測 Testing	API 598
流量 Bore	全流量 Full Bore



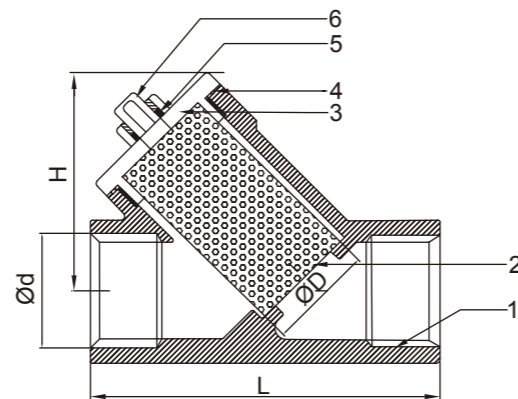
特點 FEATURES

- 以具有競爭力的價格提供卓越的閥門設計。
- 根據 ISO 9001 認證的質量體系製造。
- 多種過濾網目可供選擇。
- Superior valve design at a competitive price.
- Manufactured under ISO 9001 certified quality system.
- Various mesh are available on request.

物料表 MATERIAL COMPOSITION

型號 Fig. No. : Y5

ITEM	PART NAME	Q'TY	MATERIAL
1	Body	1	316;CF8M
2	Screen	1	304;316
3	Cap	1	316;CF8M
4	Gasket	1	Teflon
5	Packing	1	Teflon
6	Plug	1	316;CF8M



尺寸圖 DIMENSION LIST

Y5 (600psi)

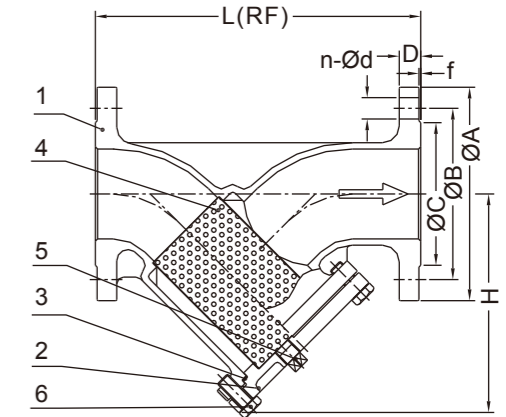
VALVE SIZE	1/4"	3/8"	1/2"	3/4"	1"	1-1/4"	1-1/2"	2"	2-1/2"	3"
L m/m	56.5	56.5	60.0	69.5	84.5	98.5	109.5	135.5	168.5	195.0
H m/m	35.0	35.0	38.5	43.5	52.0	61.0	69.0	87.0	116.0	132.0
ØD m/m	15.5	15.5	19	22.5	28.0	34.5	40.0	52.0	72.0	84.0
Ød m/m	15.5	15.5	18.0	23.0	29.0	37.0	43.5	55.0	67.5	83.0
WEIGHT(KG)	0.15	0.13	0.20	0.29	0.48	0.68	0.92	1.63	3.45	5.42

* 我方有權隨時變更材質/設計/規格，以便提供品質優良的產品。

We reserve the right to modify the design / specification without previous notice for better quality.

物料表 MATERIAL COMPOSITION

型號 Fig. No. : Y6



ITEM	PART NAME	MATERIAL	
1	Body	A351-CF8/1.4308	A351-CF8M/1.4408
2	Bonnet	A351-CF8/1.4308	A351-CF8M/1.4408
3	Gasket	PTFE/Graphite	PTFE/Graphite
4	Screen	AISI-304/1.4301	AISI-304/1.4301
5	Plug (For size of 2-1/2" ~ 12")	AISI-304/1.4301	AISI-316/1.4401
6	Bonnet Bolt/Nut	AISI-304/1.4301	AISI-304/1.4301

尺寸圖 DIMENSION LIST

Y6 (Class 150)

SIZE	Unit: mm												
	IN	1/2"	3/4"	1"	1 1/2"	2"	2 1/2"	3"	4"	5"	6"	8"	10"
L(RF)&L(BW)	120	130	150	190	220	270	290	350	390	440	500	700	780
H	70	70	81	104	117	143	195	221	265	291	368	475	600
ØA	89	98	108	127	152	178	190	229	254	279	343	406	483
ØB	60.5	70	79.5	98.5	120.5	139.5	152.5	190.5	216	241.5	298.5	362	432
ØC	35	43	51	73	92	105	127	157	186	216	270	324	381
D	11.2	11.2	11.2	14.3	15.9	17.5	19.1	23.9	23.9	25.4	28.6	30.2	31.8
f	1.6	1.6	1.6	1.6	1.6	1.6	1.6	1.6	1.6	1.6	1.6	1.6	1.6
n-Ød	4-16	4-16	4-16	4-16	4-19	4-19	4-19	8-19	8-22	8-22	8-22	12-25	12-25
WEIGHT(KG)	1.5	1.9	2.5	4.9	7.3	10.7	15.4	25	34.5	44	88	123	173.3

Y6 (PN16)

SIZE	Unit: mm										
	IN	1/2"	3/4"	1"	1 1/2"	2"	2 1/2"	3"	4"	5"	6"
L(RF)	130	150	160	200	230	290	310	350	400	480	500
H	70	70	81	104	117	143	195	221	265	291	368
ØA	95	105	115	150	165	185	200	220	250	285	340
ØB	65	75	85	110	125	145	160	180	210	240	295
ØC	45	58	68	88	102	122	138	158	188	212	268
D	14	16	16	16	18	18	20	20	22	22	24
f	2	2	2	3	3	3	3	3	3	3	3
n-Ød	4-14	4-14	4-14	4-18	4-18	4-18	8-18	8-18	8-18	8-22	12-22

* 我方有權隨時變更材質/設計/規格，以便提供品質優良的產品。

We reserve the right to modify the design / specification without previous notice for better quality.